

LIFETIME LIMITED WARRANTY

Your Drive brand product is warranted to be free of defects in materials and workmanship for the lifetime of the original consumer purchaser.

This device was built to exacting standards and carefully inspected prior to shipment. This Lifetime Limited Warranty is an expression of our confidence in the materials and workmanship of our products and our assurance to the consumer of years of dependable service.

In the event of a defect covered by this warranty, we will, at our option, repair or replace the device.

This warranty does not cover device failure due to owner misuse or negligence, or normal wear and tear. The warranty does not extend to non-durable components, such as rubber accessories, casters, and grips, which are subject to normal wear and need periodic replacement.

If you have a question about your Drive device or this warranty, please contact an authorized Drive dealer.



Port Washington, NY 11050

MADE IN CHINA

© 2002 Medical Depot, Inc. All rights reserved.

Drive is a trademark of Medical Depot, Inc.

Port Washington N.Y. 11050 USA Made in China



Heavy Duty Transfer Bench

Instructions & Warranty

www.drivemedical.com

READ INSTRUCTIONS CAREFULLY BEFORE INSTALLING

1. Place assembled Transfer Bench seat (A) upside down on work surface.
 2. Attach back support (B) by sliding mounting tubes through cylinder brackets and lock into place with spring loaded push-pins.
- NOTE:** Back support is reversible to Accommodate left or right tub entry.
3. Attach U-Shape armrest support tubing (C) by sliding into mounting bracket and lock into place with spring loaded push-pins.
 4. Place legs with suction cups inside tub.

ORDERING INFORMATION

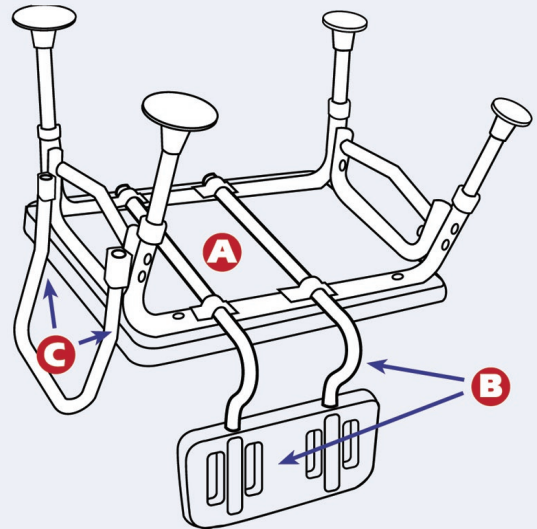
Please check with your local Drive dealer. They are well equipped to recommend and supply Transfer Benches specifically targeted to meet your needs.

- | | |
|---------|---------------------------------|
| 12005-2 | Padded Transfer Bench |
| 12020-2 | Plastic Transfer Bench, 1-piece |
| 12011-2 | Plastic Transfer Bench, 3-piece |
| 12025-2 | Heavy Duty Transfer Bench |

ASSEMBLED WITH TOOL FREE REMOVABLE ARM AND BACK



Weight Capacity 500 lbs



Spa
COLLECTION