

LIFETIME LIMITED WARRANTY

Your Drive brand product is warranted to be free of defects in materials and workmanship for the lifetime of the original consumer purchaser.

This device was built to exacting standards and carefully inspected prior to shipment. This Lifetime Limited Warranty is an expression of our confidence in the materials and workmanship of our products and our assurance to the consumer of years of dependable service.

In the event of a defect covered by this warranty, we will, at our option, repair or replace the device.

This warranty does not cover device failure due to owner misuse or negligence, or normal wear and tear. The warranty does not extend to non-durable components, such as rubber accessories, casters, and grips, which are subject to normal wear and need periodic replacement.

If you have a question about your Drive device or this warranty, please contact an authorized Drive dealer.



Port Washington, NY 11050

MADE IN CHINA

© 2002 Medical Depot, Inc. All rights reserved.

Drive is a trademark of Medical Depot, Inc.

Port Washington N.Y. 11050 USA



Item # 13007
Shown

Over Bed Table Non-Tilt

Instructions & Warranty

www.drivemedical.com

Assembly Instructions

Note: Spare part 2 packed separately and included in the box.

*Release knob 1 before straightening tube 2

*Tighten knob 1

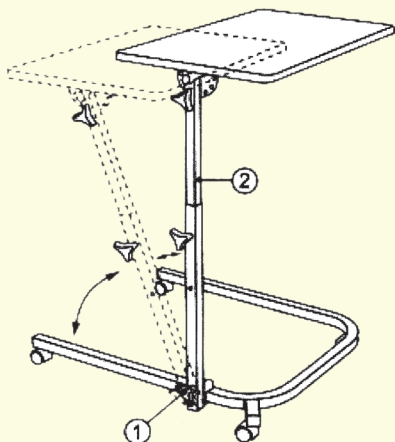
*Release knob 4

*Secure tube 5 into part 6 by pushing button

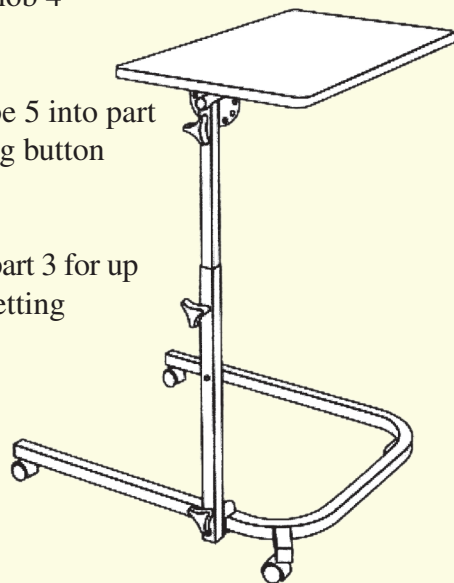
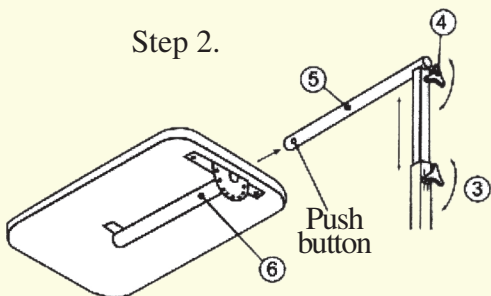
*Screw on part 3 for up and down setting

Complete

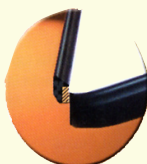
Step 1.



Step 2.



Locking Device



Protective Trim



Height Adjustment Knob



Folding Knob



Casters With Locks