

LIFETIME LIMITED WARRANTY

Your Drive brand product is warranted to be free of defects in materials and workmanship for the lifetime of the original consumer purchaser.

This device was built to exacting standards and carefully inspected prior to shipment. This Lifetime Limited Warranty is an expression of our confidence in the materials and workmanship of our products and our assurance to the consumer of years of dependable service.

In the event of a defect covered by this warranty, we will, at our option, repair or replace the device.

This warranty does not cover device failure due to owner misuse or negligence, or normal wear and tear. The warranty does not extend to non-durable components, such as rubber accessories, casters, and grips, which are subject to normal wear and need periodic replacement.

If you have a question about your Drive device or this warranty, please contact an authorized Drive dealer.



Port Washington, NY 11050

MADE IN CHINA

© 2002 Medical Depot, Inc. All rights reserved.

Drive is a trademark of Medical Depot, Inc.

Port Washington N.Y. 11050 USA Made in China



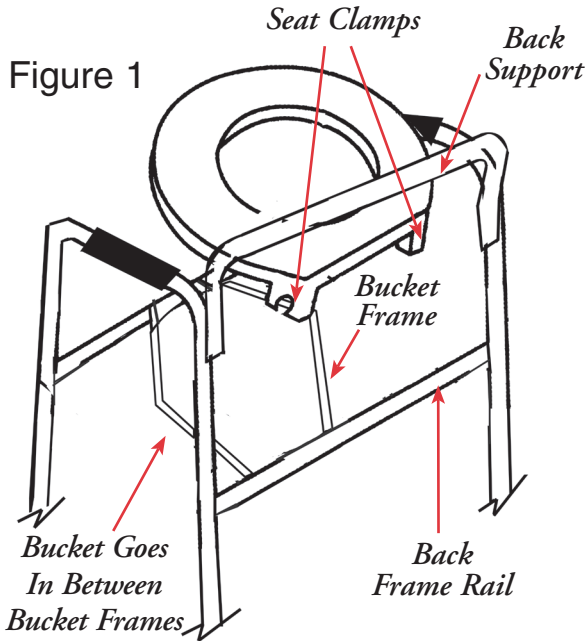
Commode

Instructions & Warranty

www.drivemedical.com

Commode Assembly Instructions and Precautions

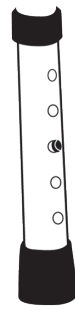
Figure 1



Assembling Commode:

- 1 Before assembling seat and lid, allow toilet seat and lid to reach room temperature if exposed to cold. This will help prevent the seat and lid clamps from cracking while being assembled onto commode back cross brace.
- 2 Align the toilet seat clamps onto the back frame rail. **(Both clamps should sit outside the pail brackets).** Push down on seat until clamps snap firmly into place.
- 3 Repeat the same process for the lid.
- 4 When removing the seat or lid, always remove lid first and then the seat. To remove, grasp the back of the lid and/or seat and lift.
- 5 Install commode bucket by placing splash guard and bucket between bucket frames. Reverse to remove.

Figure 2



Adjusting Leg Height:

- 1 Before use, adjust height of each leg to your specific needs, making sure all legs are at the same height. When desired height is reached, lock legs into place by aligning buttons into proper holes, per illustration above.
- 2 To be sure legs are locked into place by pushing down on or by pulling legs.

Additional Precautions:

- 1 Toilet seat must be in down position before use. Failure to do so may result in breakage of commode and possible injury.
- 2 Do NOT install commode without first reading and understanding this assembly and instruction sheet. If you can not understand these instructions, contact a healthcare, dealer or technical professional before attempting to install. Otherwise, injury or damage may occur.
- 3 Inspect all parts for shipping damage before assembly. If there is shipping damage - DO NOT USE. Contact dealer/carrier for further instructions.
- 4 Make certain that the height adjusting snap buttons fully protrude through the same respective hole of each leg extension. This will ensure that the leg extensions are securely locked in position and an even height is achieved (see Figure 1).
- 5 Ensure ALL screws, nuts and/or bolts are tightened.
- 6 Check the rubber tips on the leg extensions for rips, wear or if they are missing. Immediately replace any or all if any of these imperfections exist.
- 7 All four leg extensions with rubber tips MUST touch the floor simultaneously at all times.
- 8 Users with limited physical strength should be supervised or assisted while using commode.

Weight Capacity 300lbs.