

LIFETIME LIMITED WARRANTY

Your Drive brand product is warranted to be free of defects in materials and workmanship for the lifetime of the original consumer purchaser.

This device was built to exacting standards and carefully inspected prior to shipment. This Lifetime Limited Warranty is an expression of our confidence in the materials and workmanship of our products and our assurance to the consumer of years of dependable service.

In the event of a defect covered by this warranty, we will, at our option, repair or replace the device.

This warranty does not cover device failure due to owner misuse or negligence, or normal wear and tear. The warranty does not extend to non-durable components, such as rubber accessories, casters, and grips, which are subject to normal wear and need periodic replacement.

If you have a question about your Drive device or this warranty, please contact an authorized Drive dealer.



**12 Harbor Park Drive
Port Washington, NY 11050**

MADE IN CHINA

© 2002 Medical Depot, Inc. All rights reserved.

Drive is a trademark of Medical Depot, Inc.

Port Washington N.Y. 11050 USA Made in China

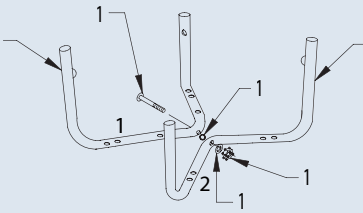


Item # 12490KD-6

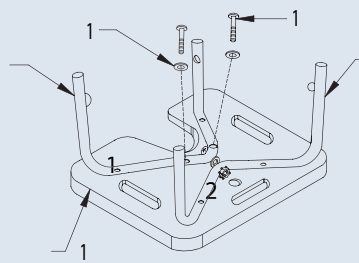
Dr.k # AQ68040

**U-Style
Bath Bench**

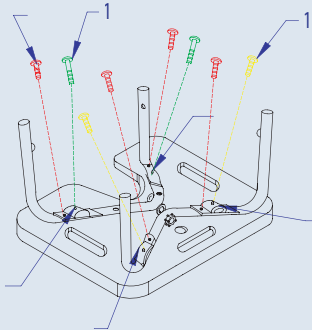
**Instructions & Warranty
www.drivemedical.com**



STEP1: Lock the bending tube tubes tightly with 1/4" screws, bow shaped washer, plastic flat washer and nylon bolt.



STEP2: Lock the bending tubes tightly with 1/4" screw and bow shaped washer on the U shape seat. The large bending tube must be on the front.

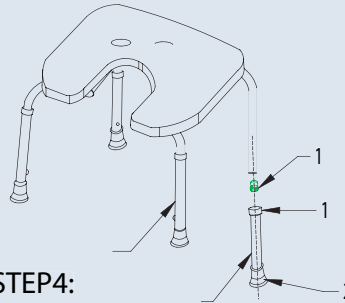
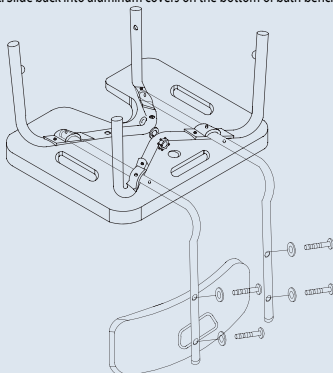


STEP3:

1. Place aluminum covers on all four corners.
2. Use two 1/4" round cross screws to keep covers in place and lock with large bending tube on the U-shaped seat.
3. Use two 1/4" flat cross to keep aluminum covers and little bending tube on the U-shaped seat.
4. Place four round cross screws in the outer screw hole of the aluminum covers to keep covers in place.

STEP5:

1. Attach the back of chair with the screws and washers provide.
2. Slide back into aluminum covers on the bottom of bath bench.



STEP4:

1. Put four cross inner corks into the bending tubes.
2. Put active cover and suction tip in the tube.
3. Put in the tubes, the copper ball and make sure it snaps out