

RangerWare

By



POLARIS®



Tip out Windshield Installation Instructions

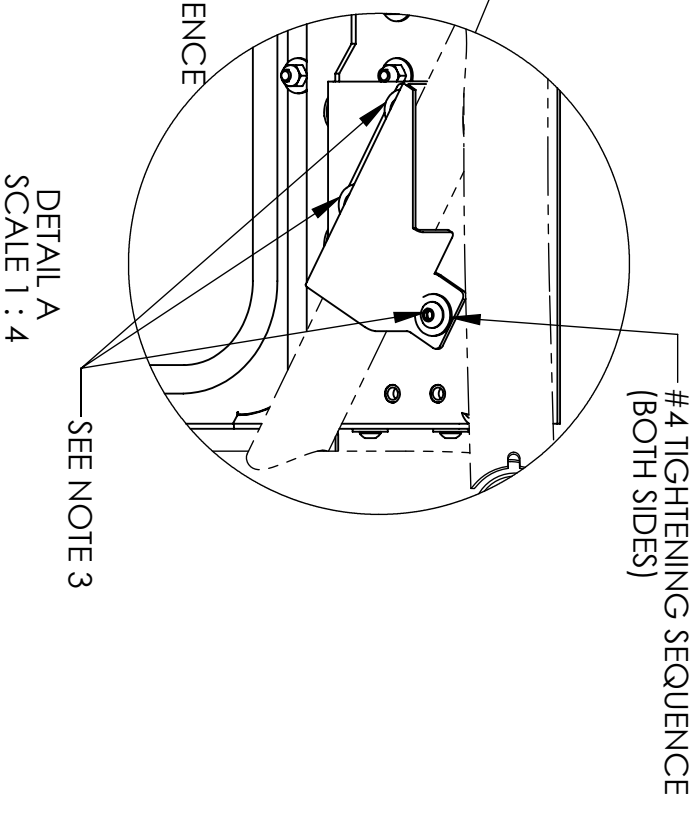
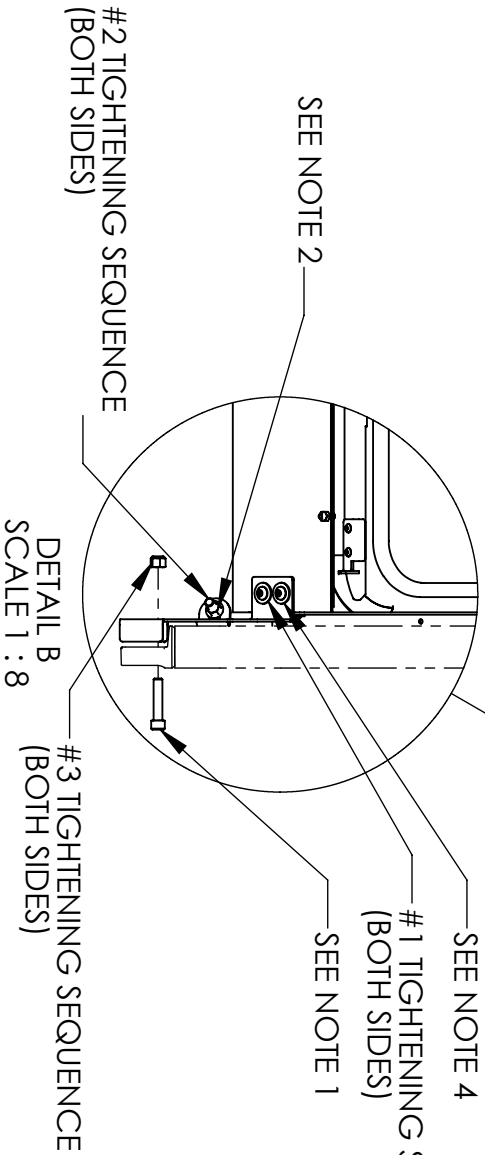
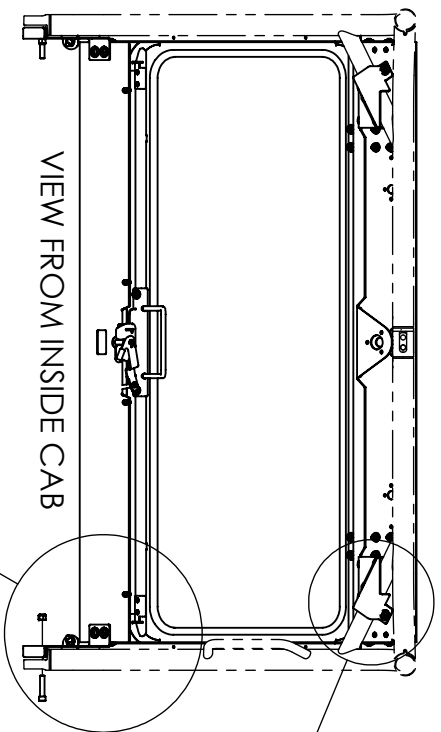
RangerWare Product – Order of Install

- Heater
- Wipers installed to Windshield
- Windshield
- Back Panel
- Top
- Doors

Hardware Kit Includes

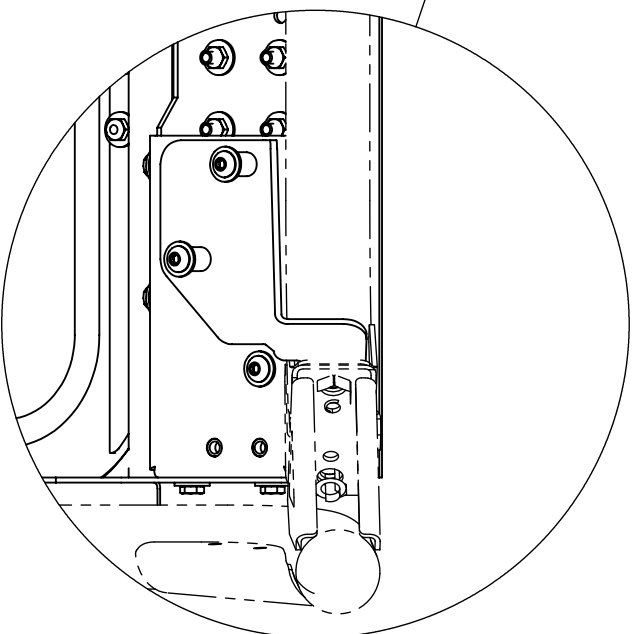
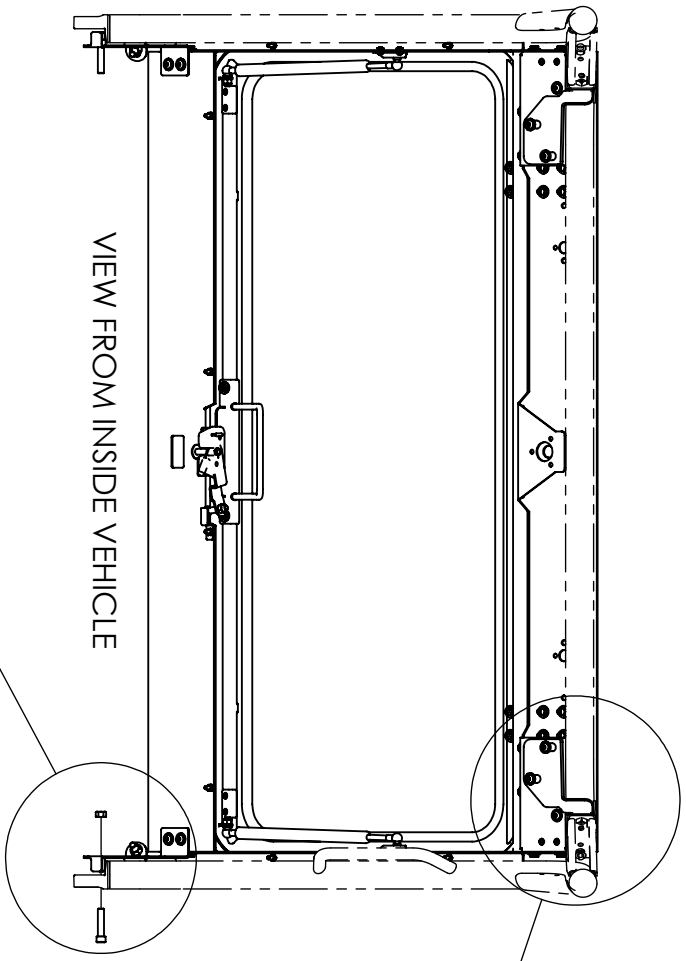
- 1- left upper mount bracket (2009 Model)
- 1- right upper mount bracket (2009 Model)
- 1-left upper mount bracket (2010 Model)
- 1-right upper mount bracket (2010 Model)
- 1- left lower mount bracket
- 1- right lower mount bracket
- 2- 3/8" x 16 x 1 3/4" SHCS
- 4- 3/8" Ser. Flange Nuts
- 2- 3/8"x 16 x 1 BHCS
- 10- 5/16" x 5/8" BHCS
- 10- 5/16" FW

The Diagram on the next 2 pages will guide you through the Installation process.

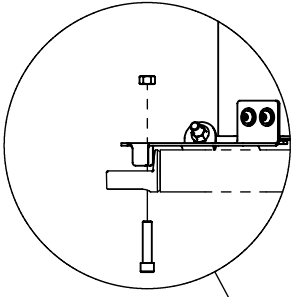


NOTES

1. REMOVE TOP BOLT FROM ROLL CAGE JOINT, JUST ABOVE DASH. (BOTH SIDES) RETAIN THE NUTS - REPLACE WITH 1 3/4" BOLT INCLUDED IN KIT USING THE NUTS YOU RETAINED AND TIGHTEN.
INSTALL LOWER BRACKETS WITH 3/8 FLANGE NUT. (DO NOT TIGHTEN)
2. SET WITH WINDSHIELD IN PLACE AND INSTALL 3/8" X 1" BUTTON HEAD BOLTS THROUGH LOWER WINDSHIELD AND THROUGH LOWER BRACKET. (DO NOT TIGHTEN)
3. INSTALL UPPER BUTTON HEAD BOLTS. (DO NOT TIGHTEN)
4. INSTALL BOLTS THROUGH LOWER BRACKET INTO WINDSHIELD. (DO NOT TIGHTEN)
5. FOLLOW TIGHTENING SEQUENCE AS SHOWN ON DRAWING.



DETAIL A
SCALE 1 : 4



DETAIL B
SCALE 1 : 8

