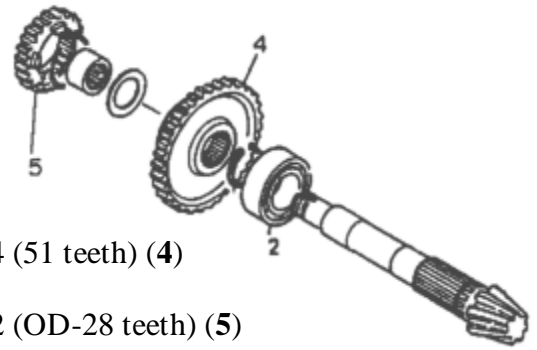


Group 4

Transmission & PTO

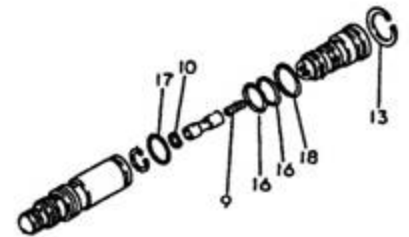
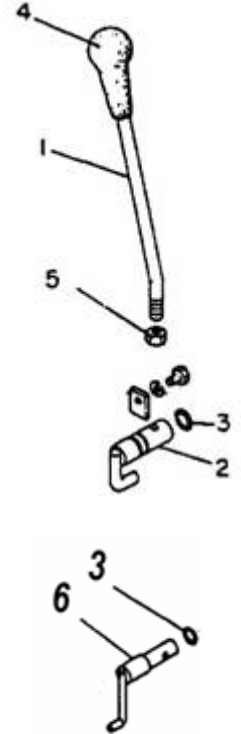
Hi-Lo Gears



- TG-2551** Hi-Lo gear 240, 1700, 2000 Repl. 194150-25514 (51 teeth) (4)
- TG-2585** Hi-Lo gear 240, 1700, 2000 Repl. 194150-25852 (OD-28 teeth) (5)
- 5206-2RS** Bearing, trans. output shaft 1500, 1700, 2000 (2)
Repl. 194150-31460 & 24512-052064

Hi-Lo Shift Levers

- SL-2751** Shift lever rod 240, 1700, 2000 Repl. 194150-27510 (1)
- SL-4150** Hi-Lo shift lever 195, 240, 1700, 2000 Repl. 194150-27530 (2)
- OR-112** O-ring for SL-4130 & SL-4150 Hi-Lo shift lever (3)
Repl. 24311-000160
- SK-855** Shift lever knob 1500, 1700, 2000 (4)
Repl. 194990-85561
- M12NUT** Shift lever rod nut (5)
- SL-4130** Hi-Lo shift lever 2200, 2500, 3000 Repl. 194130-27530 (6)
- RVS-4555** Trans relief valve spring FX20, FX22, FX24 (9)
Repl. 194555-24670



Hi-Lo Shift Lever

SL-4150 Hi-Lo shift lever 195, 240, 1700, 2000 Repl. 194150-27530

SL-4130 Hi-Lo shift lever 2200, 2500, 3000 Repl. 194130-27530

OR-160 O-ring for Hi-Lo shift lever
Repl. 24311-000160

SF-4430 Shifter fork YMG1800, 1802, 1810, 1820, (1)
YMG2000, 2002 Repl. 194430-33140

DL-4361 Differential lock (2)
YMG1800, 1802, 1810, 1820,
YMG2000, 2002 Repl. 194361-33100

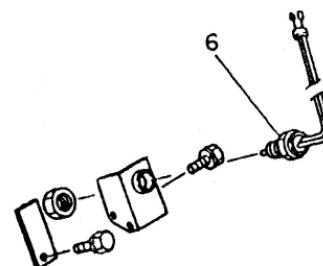
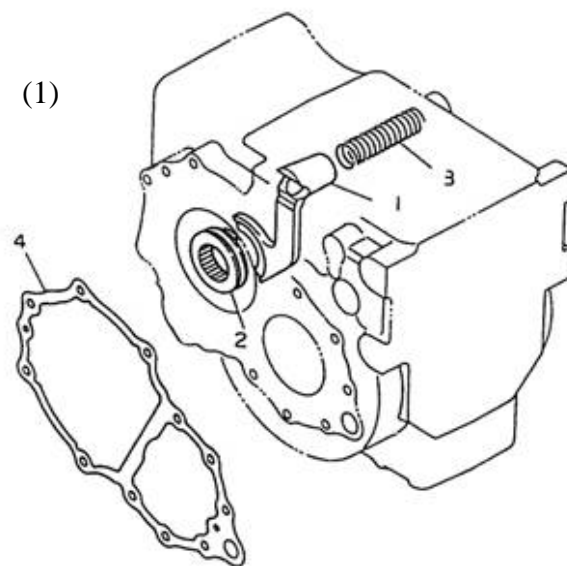
DLS-4150 Differential lock return spring 1700, (3)
YMG1800, 1802, 1810, 1820, 2000,
YMG2000, 2002 Repl. 194150-33150

RAHG-4420 Rear axle housing gasket 226, 1610 (4)
YMG1800, 1810, YMG2000
Repl. 194420-32620

SS-4201 Clutch safety switch 1401 Repl. 194201-52160 (6)

SS-4440 Clutch safety switch 122, 126, 140, 142, 146, 147, 165, 186, 195, 220, (6)
226, 240, 250, 276, 336, 1502, 1510, 1601, 1602, 1610, 1700D, 1702,
1720, YMG1800, 1802, 1810, 1820, YMG2000, 2001, 2002, 2010, 2020,
2202, 2210B, 2220, 2301, 2310, 2402, 2420, 2500, 2610, 2620, 2820,
3000, 3110, 3220, 4220, F18, FX18, F20, FX20, F22, FX22, FX26,
FX28, F37D, F46D, F215, FX215, F255, FX255, FX285, FX305
Repl. 194197-52191 (old # 194440-52191)

SSN-22 Nut only for SS-4440 safety switch
Repl. 194240-52210



Shift Forks, Transmission and PTO

SF-12 Shift fork, 1 - 2 for 195, 240, 1700, 2000
Repl. 194150-27310 (3)

SF-35 Shift fork, 3 - 5 for 195, 240, 1700, 2000
Repl. 194150-27320 (4)

SF-4150 Fork, Hi-Lo shift 195, 240, 1700, 2000
Repl. 194150-27610 (2)

SL-4150 Hi-Lo shift lever 195, 240, 1700, 2000
Repl. 194150-27530 (22)

OR-160 O-ring for Hi-Lo shift lever
Repl. 24311-000160 (34)

SF-2733 Reverse shift fork 195, 240, 1700, 2000
Repl. 194150-27330 (1)

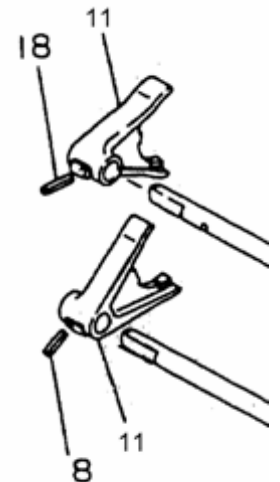
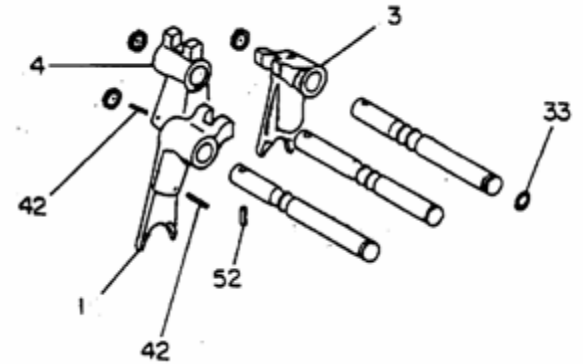
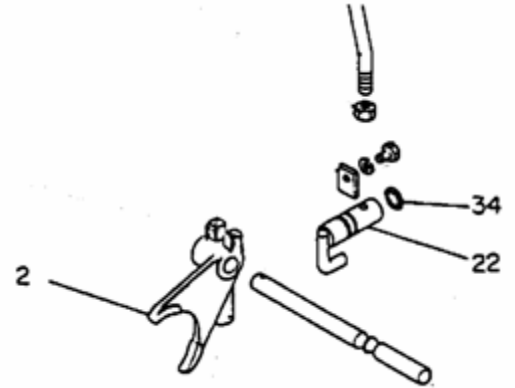
OR-110 O-ring Repl. 24311-000110 (33)

RP-320 Roll pin Repl. 22351-030020 (42)

RP-412 Roll pin Repl. 22351-040012 (52)

SF-4555 PTO shift fork F20, FX20, F22, FX22, F24, FX24, FX26 (11)
FX28, FX32, FX42, F215, FX215, F235, FX235, F255,
FX255, FX285, FX305, FX335, FX435
Repl. 194555-27740

RP-625 Roll pin Repl. 22351-060025 (8)



Transmission shifter repair parts

SB-4065 Shifter boot 195, 240, 1500, 1502, 1600, (1)
1700, YMG1800, 1802, 1900, 2000, YMG2000, 2002,
2310, 2500, 2620, 2820, 3000, 3110, 3810, 4500
Repl. 194065-27360 (old# 194080-27252)

RP-640 Roll pin, outer YMG1800, 1802, YMG2000, (2)
2002, 2202, 2210, 2310, 2402, 2620,
2820, 3110, F24 Repl. 22351-060040

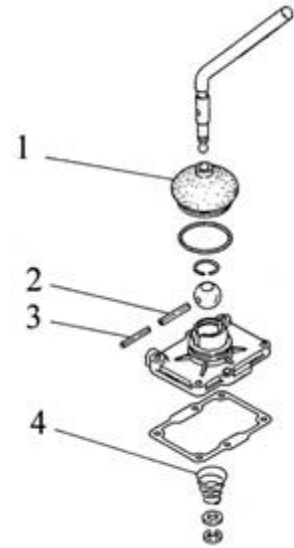
RP-40 Roll pin, inner YMG1800, 1802, YMG2000, (3)
2002, 2202, 2210, 2310, 2402, 2620, 2820, 3110, F24
Repl. 22351-035040 (old # 194310-27240)

RP-50 Roll pin, trans shifter 195, 240, 1500, 1502, (2)
1600, 1700, 1900, 2000, 2500, 3000
Repl. 22351-050040 (old # 22352-050040)

TSS-4422 Trans. shifter spring 220, 250, 1601, 1702, 1720, (4)
YMG1800, 1802, YMG2000, 2001, 2002, 2202,
2301, 2310, 2402, F24 Repl. 194422-27230

TSS-4310 Trans shifter spring 2210, 2610, 3110, 4500 Repl. 194310-27220 (4)

TSS-2717 Transmission shifter spring 195, 240, 1500, 1502, (4)
1600, 1700, 1900, 2000, 2210, 2500, 2620,
2820, 3000, 3220, 4220, 4300 Repl. 194080-27172
1100, 1300, 1301, 1401 Repl. 194200-27160



Clutch, Pressure Plates and Throw Out Bearings

CD-1314 Clutch disc, 7-1/8 x 27/32 x 19 spline, 135, 155, 165, 169, 180, 186, 1100,
1300, 1401 Repl. 194262-21400 & 794200-21400 (Old # 194340-21400)

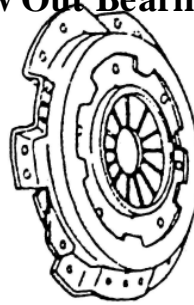
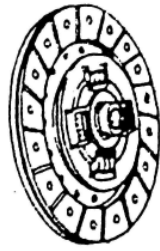
CD-1075 Clutch disc, 7-1/8 x 3/4 x 10 spline, **1601, 1610** Repl. 194420-21400;
1301, 1502, 1510, 1602, F14, F15, F16, FF145D, FF155D, F165D
Repl. 194440-21400; **1702, 1720** Repl. 194510-21400

PP-1314 Pressure plate 135, 155, 169, 180, 1100, 1300, 1401,
1702, 1720 Repl. 194262-21700; **1301, 1502, 1510, 1601,**
1602, 1610, F14, F15, F16, F17, FF145D, FF155D, F165D
Repl. **194440-21700**

TO-4200 Clutch throw-out (release) bearing for 135, 155, 165, 169,
1100, 1300, 1301, 1401 Repl 194200-22180



Clutch, Pressure Plates and Throw Out Bearings



CD-4115 Clutch disc, 7-7/8" x 7/8 – 20 spline, 195, 220, 226, 240, 250, 276, 1500, 1600, 1700, 1810, 1900, 2000, 2001, 2010, 2210, 2210B, 2301, 2310 Repl. 194115-21400, 194312-21501, 194361-21400, & 794150-21400

CD-2224 Clutch disc, 8" x 1"-13 spline **F22, FX22, F24, FX24, FX26, F195, FX195 F215, FX215, F235, FX235** Repl. 194555-21400; **YMG1800, YMG2000** Repl. 194430-21400; **1802, 2002** Repl. 194520-21400; **2020, 2202, 2220, 2402, 2420** Repl. 194550-21400 **F18, FX18, F20, FX20** Repl. 194535-21400

PP-4115 Pressure plate –195, 220, 226, 240, 250, 276, 1500, 1600, 1700, YMG1800, 1802, 1810, 1820, 1900, YMG2000, 2000, 2001, 2002, 2010, 2020, 2202, 2210, 2210B, 2220, 2301, 2310, 2402, 2420, F18, FX18, F20, F22, FX22, F24, FX24, F195, FX195, F215, FX215, F235, FX235 Repl. 794150-21700

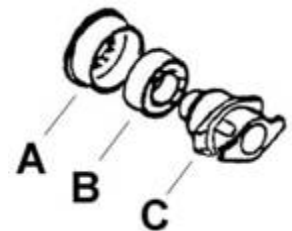
TO-4115 Clutch throw-out (release) bearing **YM1500 Red**, F14, F15, F16, F17, F18, FX18, F20, FX20, F22, F24, FX24, FX26, FX28, FX32, FX42, 180, 186, 187, 195, 220, 226, 240, 250, 276, 336, 1502, 1510, 1600, 1601, 1602, 1610, 1700, 1702, 1720, **YMG1800**, 1802, 1810, 1820, 1900, **YMG2000**, 2000, 2001, 2002, 2010, 2020, 2202, 2210, 2220, 2301, 2310, 2402, 2420, 2610, 2620, 2820, 3110, 3220, 3810, 4220, FF145D, FF155D, F165D, F195, FX195, F215, FX215, F235, F255, F265, FX265, FX285, FX305, FX335, FX435 Repl. 194990-42710



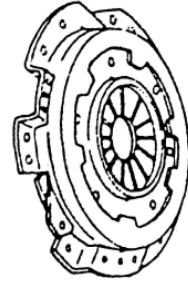
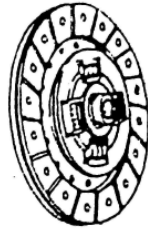
BC-1500 Cup, release bearing w/snap ring **1500 Green** (A)
Repl. 194190-22150 & 194190-22151

6006-2RS Clutch throw-out (release) bearing **1500 Green** (B)
Repl. 24104-060064

BC-2214 Bearing carrier w/bushing, clutch release **1500 Green** (C)
Repl. 194190-22140



Clutch, Pressure Plate, Throw Out Bearings & Pilot Bushings



CD-4276 Clutch disc, 8-1/2" x 1" – 13 spline, 330, 336, 2200, 2420, 2500, 2610, 2620, 2700, 2820, 3000, 3110, 3810 (Repl 194320-21401)
Repl. 194276-21402 (Old # 794081-21400 & 194275-21400)
3220, FX26, FX28, FX32, F255, FX255, F265, FX265
Repl. 194320-21510

PP-4276 Pressure plate – 336, 2610, 2620, 2820, 3110, 3220, 3810, 4220, FX26, FX28, FX32, F255, FX255, F265, FX265 Repl. 194320-21700

PP-4081 Pressure plate 330, 2200, 2500, 2700, 3000
Repl. 794081-21700

TO-4276 Clutch throw-out (release) bearing 176, 330 w/single clutch, 2200, 2500, 2700, 3000 Repl. 194990-42720

CD-4335 Clutch disc, 8-7/8 x 1" – 13 spline, 4220, FX42, FX285, FX305, FX335 Repl. 194335-21400
PTO clutch disc 330 Repl. 194274-21410

PP-4335 Pressure plate 4220, FX42, FX285, FX305, FX335
Repl. 194335-21700



Pilot Bushings

PB-4450 135, 140, 147, 155, 195, 220, 226, 240, 250, 276, 330, 336, 1100, 1300, 1500, 1600, 1700, YMG1800, 1802, 1820, 1900, 2000, YMG2000, 2001, 2002, 2010, 2020, 2202, 2210, 2220, 2301, 2310, 2402, 2420, 2500, 2610, 2620, 2820, 3000, 3110, 3220, 3810, 4220, F18, F20, F22, FX22, F24, FX24, FF145D, FF155D, F195, F215, F235, F255, FX255, F265, FX265
Replaces 124450-21230

PB-4950 142, 146, 180, 186, 187, 1110, 1301, 1401, 1502, 1510, 1601, 1602, 1610, 1702, 1720, F14, F15, F16, F17, FF145D, FF155D, F165 Repl. 124950-21230

Clutch linkage

CR-2246 (1)

end – LH 195D, 220, 226, 240D, 250,
 276, 336, 1500, 1600, 1601, 1610, 1700,
 YMG1800, 1802, 1810, 1820, YMG2000, 2001, 2002,
 2020, 2202, 2210, 2301, 2402, 2500, 2610, 2620, 2820,
 3000, 3110, 3220, 3810, 4220, 4500 Repl. 194150-22460

BR-3776 (1)

Clutch rod end – LH 195, 240,
 1900, 2000 Red Repl. 194160-22460 (5-1/2" OAL)

BR-100 (1)

Clutch rod end – LH (clevis type) 330, 4300, 4300D
 Repl. 194130-37740

CP-118

Clutch rod clevis pin w/hair pin clip Repl. 194080-37781

CR-2247 (2)

Clutch rod end – RH 195, 195D, 240, 240D, 1500,
 1600, 1700, 1900, 2000, 2210, 2210B, 2610
 Repl. 194150-22470

CR-4420 (2)

Clutch rod 220, 226, 250, 1610, YMG1800, 1802,
 1820, YMG2000, 2002 Repl. 194420-22470

CR-4145 (2)

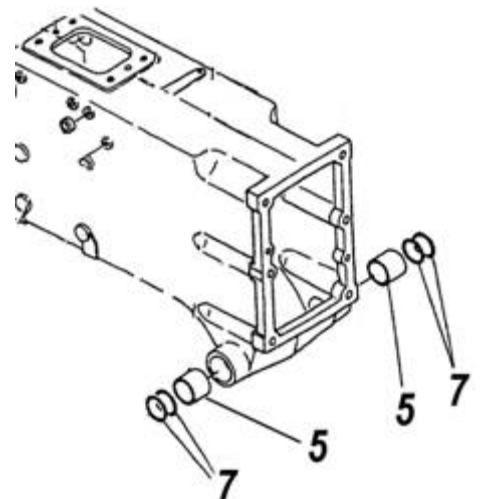
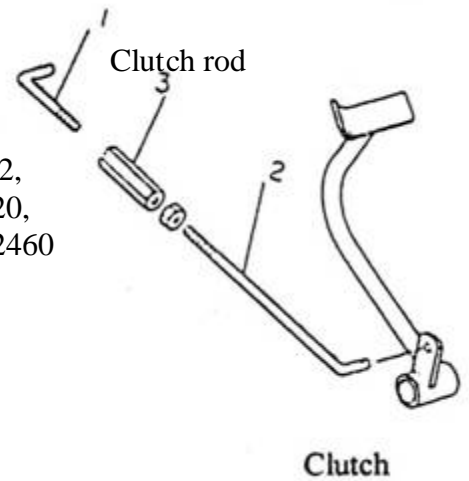
Clutch rod, RH 2620, 2820, 3000, 3110, 3220,
 3810, 4220 Repl. 194145-22320

BR-103 (3)

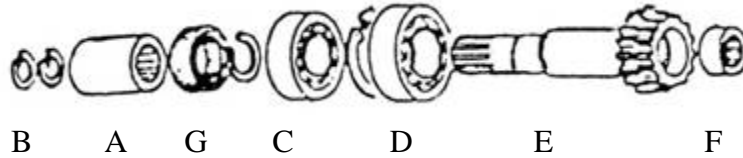
Clutch rod turnbuckle 10mm threads 195D, 220, 240D,
 250, 276, YMG1800, YMG2000, 2020, 2202, 2210,
 2500, 3110, 3810, 4300
 Repl. 194151-37730 (10mm X 90mm OAL)

SB-2112

Clutch & brake shaft bushing 330, 336, 2500, 2620, (5)
 2820, 3000 Repl. 194145-21120;
 3220, 4220 Repl. 194327-37520

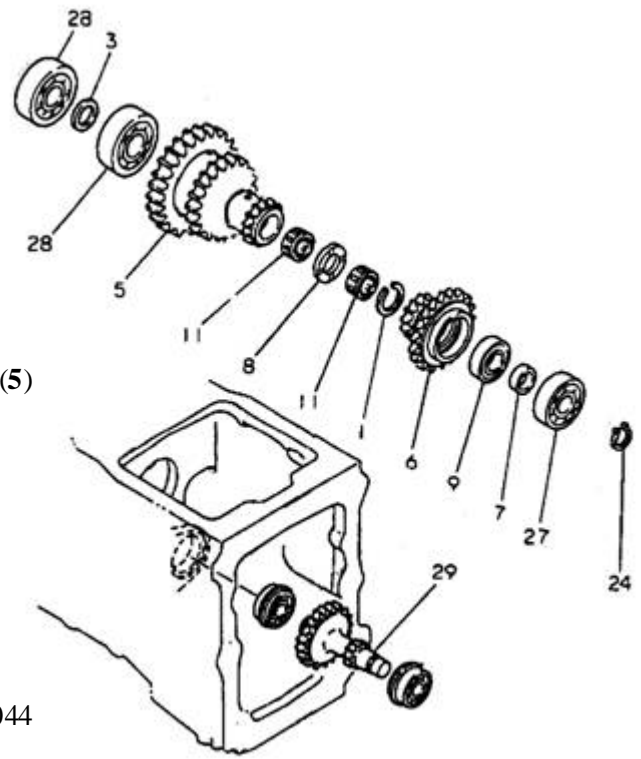


Transmission Parts

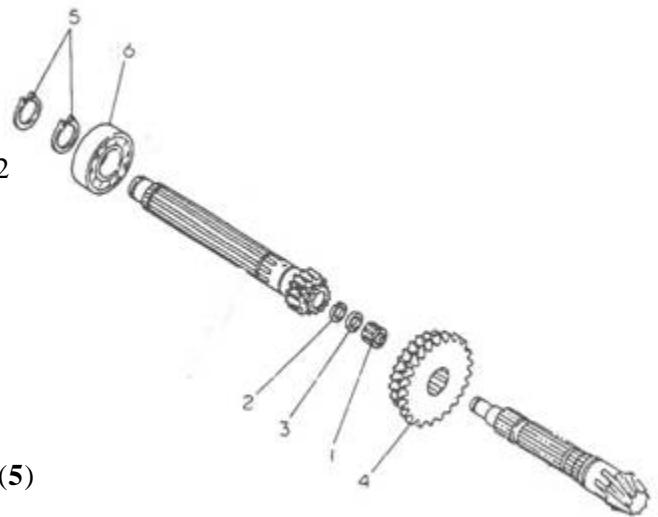


- | | | |
|------------------|---|-----|
| SC-2618 | Splined shaft connector w/snap ring 195, 226, 240, 1500, 1600, 1601, 1700, 1900, 2000, 2001, 2010, 2202, 2210, 2220, 2301, 2310, 2402, 2420, 4300, F17, FX17, F18, FX18
Repl. 194190-26180 (Old # 194150-25220 & 194310-25100) | (A) |
| SC-2522 | Splined shaft connector w/snap ring 336, 2200, 2500, 2700, 2610, 2620, 2820, 3000, 3110, 3220, 3810, 4220
Repl. 194110-25220 (L = 38mm) | (A) |
| SC-4300 | Splined shaft connector w/snap ring 186, 187, 220, 250, 1510, 1610, 1702, 1720, YMG1800, 1802, 1820, YMG2000, 2002
Repl. 794300-25100 (old # 194300-25100) | (A) |
| SR-17 | Snap ring for SC-2618
Repl. 22252-000170 | (B) |
| 20x35x7TC | Seal
Repl. 194150-27810 | (G) |
| 6204-2RS | Ball bearing, sealed
Repl. 24101-62044 | (C) |
| 6205-2RS | Ball bearing, sealed
Repl. 24101-062054 | (D) |
| TS-261 | Input shaft, transmission 1500 w/bearing
Repl. 194190-26101 | (E) |
| NB-4190 | Needle bearing for TS-261,
Repl. 194190-26170 | (F) |
| SC-4110 | Splined coupler
Repl. 794110-25220 | (A) |
| SC-4640 | Splined coupler FX26, FX28, FX32, FX32D, F37D, FX42, FX42D, F46D, FX285, FX305
Repl. 194640-26130 | (A) |
| SC-4555 | Splined coupler F20, FX20, F24, FX24, FX26D, FX28D, FX32D, FX42D
Repl. 194555-26520 | (A) |

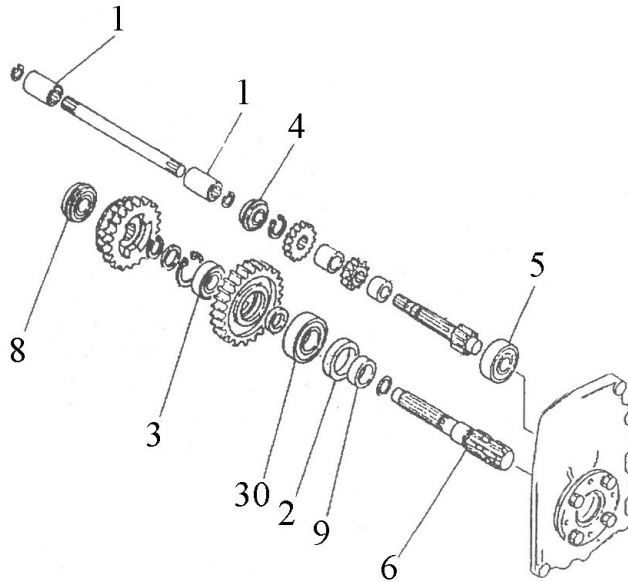
- PTOW-4190** Thrust spacer 1702, 1720, 1802, (3)
1810, 2002 Repl. 194190-26840
- TG-4430** Gear YMG1800, 1802, 1810, 1820, YMG2000, (5)
2002 Repl. 194430-25171 (teeth **15 / 26 / 44**)
- SG-3615** Gear (**15-36**) teeth 1610, 1610D (6)
Repl. 194420-25180
- 6004-2RS** Ball bearing 1702, 1720, YMG1800, 1810, (9)
YMG2000 Repl. 24101-060044
- 6204-2RS** Ball bearing 1610, 1702, 1720, YMG1800, (27)
1802, 1810, YMG2000, 2002 Repl. 24101-062044
- 6205-2RS** Ball bearing 1610, 1702, 1720, YMG1800, (28)
1802, YMG2000, 2002 Repl. 24101-062054
- TG-2575** Gear 1702, 1720, YMG1800, 1802, 1810, (29)
YMG2000, 2002 Repl. 194430-25751 (teeth **10 / 26**)
- SG-2610** Gear 1610, 1610D Repl. 194420-25750 (29)
(teeth **10/26**)



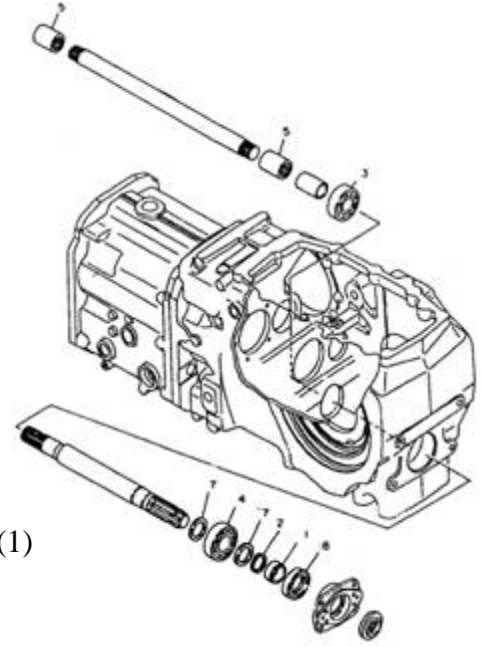
- NB-2583** Needle bearing 1702, 1720, YMG1800, (1)
1802, 1810, YMG2000, 2002, 2202, 2210, 2402
Repl. 194310-25830
- TG-2739** Gear (**27-39** teeth) YMG1800, 1802, 1810, (4)
1820, YMG2000, 2002 Repl. 194430-25960
- RG-2596** Gear, 2nd & 3rd reduction – 1601, 1610, (4)
1702, 1720 (**27-39** teeth) Repl 194420-25960
- SR-40** Snap ring YMG1800, 1802, YMG2000, 2002 (5)
Repl. 22242-000400
- 6008-2RS** Ball bearing Repl. 24101-060084 (6)



PTO PARTS for YM 1110 & 1510



SC-4300	Coupler (15 spl) Repl. 794300-25100 (1)
40x55x8TC	PTO seal Repl. 24421-405508 (2)
6005-2RS	Ball bearing, sealed Repl. 24101-060054 (3)
6203-NR (4)	Not supplied at this time
6304-2RS	Ball bearing, sealed Repl. 24104-063044 (5)
PTO-1510	PTO shaft Repl. 194300-26311 (6)
6204-NR (8)	Not supplied at this time
SC-1510	Seal collar Repl. 194300-26390 (9)
6206-2RS	Ball bearing, sealed Repl. 24101-062064 (30)



SC-4130 Seal collar FX26, FX28, FX32, FX32D, (1)
 FX42, FX42D
 Repl. 194130-33452

SR-34 Snap ring for brg FX32, FX32D, FX42, FX42D (2)
 Repl. 22242-000340

6206-2RS Bearing FX32, FX32D, FX42, FX42D (3)
 Repl. 24101-062064

6207-2RS Bearing, PTO FX32, FX32D, FX42, FX42D (4)
 Repl. 24101-062074

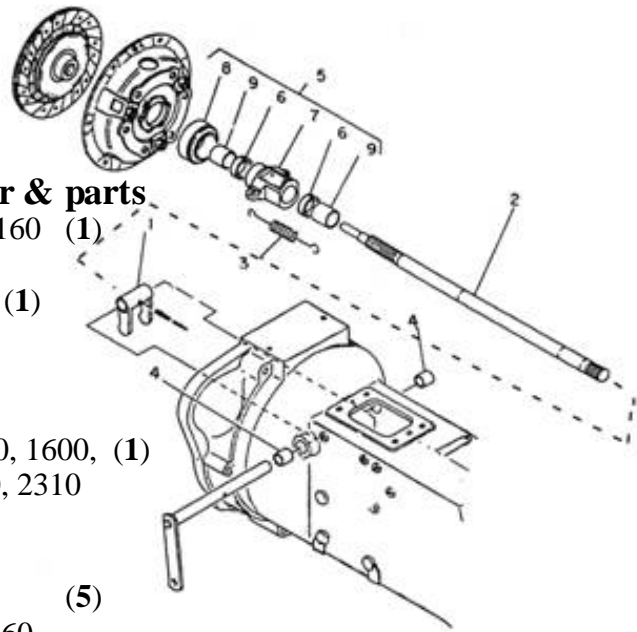
PTOW-4640 Spacer washer FX32, FX32D, FX42, FX42D (7)
 Repl. 194640-26330

42x60x9TC PTO seal early FX26, FX28, FX32, (8)
 FX32D, FX42, FX42D
 Repl. 194130-26350

35x60x19QLF PTO Seal late FX26, FX28 Repl. 194370-26350 (8)

Clutch release bearing carrier & parts

- CF-4190** Clutch fork 1500 **Green** Repl. 194190-22160 (1)
- CF-4130** Clutch fork 2200, 2500, 2610, 2620, (1)
2700, 2820, 3000, 3220, 4220
Repl. 194130-22311
- CF-4150** Clutch fork 226, 240, 276, 1500 **Red**, 1510, 1600, (1)
1610, 1700, 1820, 1900, 2000, 2010, 2210, 2310
Repl. 194150-22311
- CBS-4130** Clutch brg carrier, incl. bearing (5)
2200, 2500, 2700, 3000 Repl. 794130-22160
- CBS-4150** Clutch brg carrier, incl. bearing 186, 195, 220, (5)
226, 240, 250, 1500, 1510, 1610, 1700, 2000, 2001, 2310
Repl. 794150-22150
- CB-4130** Bushing 2500, 2610, 2620, 2820, (9)
3000, 3220, 3810, 4220 Repl. 194130-22160
- CB-4150** Bushing 165, 186, 220, 226, 250, 1401, 1500, 1502, 1510, (9)
1610, 1700, YMG1800, 2000, YMG2000, 2210, 2310,
FF145D, FF155D Repl. 194150-22160
- APB-4191** Bushing 135, 155, 1300 Repl. 194200-22170 (9)
- RS-4150** Spring, clutch brg return 1500, 1510, 1600, 1602, (3)
1700, 1900, 2000, 2210 Repl. 194150-22240
- RS-4320** Spring, clutch brg return 336, 2610, 2620, 2820, (3)
3110, 3220, 3810, 4220 Repl. 194320-22240
- RS-4145** Spring, clutch brg return 330, 2500, 3000, 4300 (3)
Repl 194145-22261
- RS-4420** Spring, clutch brg return 220, 226, 250, 1601, (3)
1610, 1702, 1720, YMG1800, 1802, 1810, 1820,
YMG2000, 2001, 2002, 2010, 2020, 2202, 2220, 2301,
2310, 2402, 2420 Repl. 194420-22240

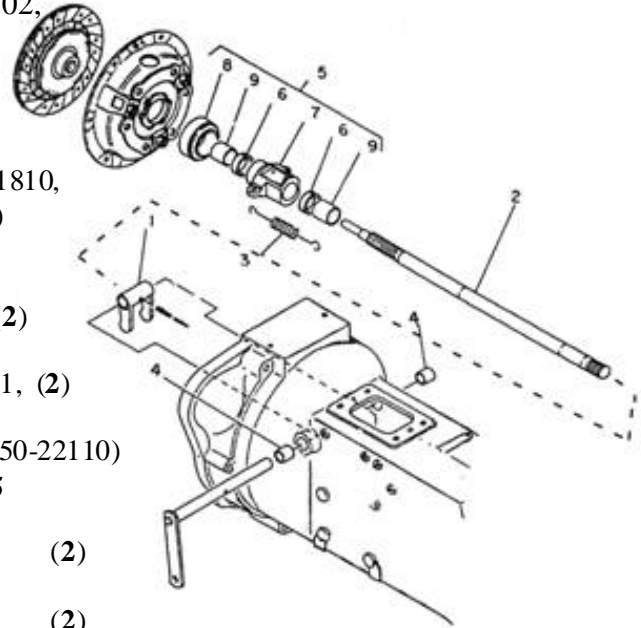


Continued next page

Continued from previous page

Clutch release bearing carrier & parts

- FS-4130** Felt seal TO brg carrier F20, FX20, F24, FX24, (6)
FX26, FX28, F255, FX255, 186, 226, 1502,
1510, 1610, 1702, 1720, YMG1800,
YMG2000, 2310, 2500, 2620, 2820,
3000, 3220, 4220 Repl. 194130-22170
- TS-4430** Main drive shaft 220, 226, 250, YMG1800, 1810,
YMG2000, 2002 Repl. 194430-22110 (2)
- TS-213** Main drive shaft **1500 Red ONLY**
Repl. 194190-21301 **OAL – 20”** (2)
- MDS-4312** Main drive shaft 276, 2001, 2010, 2210, 2301, (2)
2310 Repl. 194312-22110;
Will work on 2020, 2220, 2420 (Repl. 194550-22110)
by replacing clutch disc with our CD-4115
- MDS-4420** Main drive shaft 1610 Repl. 194420-22110 (2)
- MDS-2500** Main drive shaft 2500 Repl. 194134-22110 (2)
- MDS-3000** Main drive shaft 3000 Repl. 194145-22111 (2)
- CLB-2228** Clutch lever bushing 195, 226, 240, 1600, 1610, 1700, 1702, (4)
1720, YMG1800, 1820, 1900, 2000, YMG2000, 2001, 2020,
2202, 2200, 2220, 2301, 2310, 2402, 2420, 2500, 2610, 2700,
3000, 3810 Repl. 194130-22280
- CB-4190** Clutch lever bushing 1500 Repl. 24550-020150 (Old # 194190-21250) (4)



Transmission Gaskets

TG-2432 Transmission gasket 336, 2610, 3110, (1)
3810 Repl. 194320-24320

TG-2433 Transmission gasket 336, 2610, 2620, 2820, (2)
3110, 3220, 3810, 4220 Repl. 194320-24330

TG-4170 Transmission gasket 276, 2020, 2220, 2420 (2)
Repl. 194170-24180

TG-2418 Transmission gasket 226, 1610, 1720, 1810, (2)
1820 Repl. 194420-24180

TG-2417 Transmission gasket 226, 1610, 1720, 1810, (1)
1820 Repl. 194420-24170

TG-4312 Transmission gasket 2010, 2310 Repl. 194312-24180 (2)

TG-2310 Transmission gasket 2010, 2310 Repl. 194312-24170 (1)

TG-4310 Bell housing to trans block 2210, 2310 Repl. 194310-24180 (1)

TG-2112 Transmission gasket 2210 Repl. 194310-21120 (2)

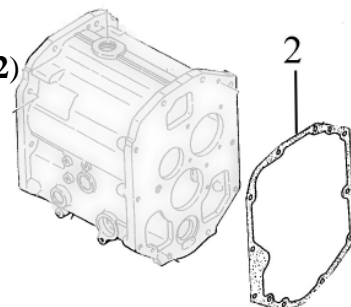
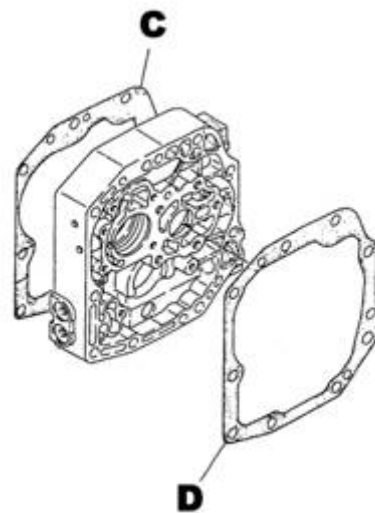
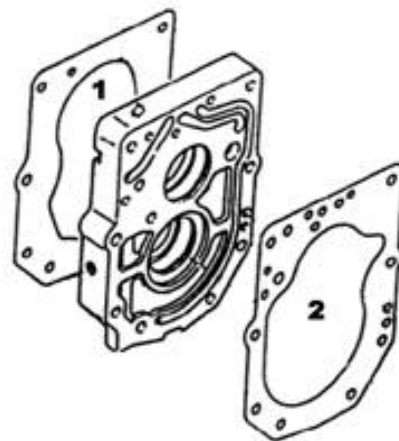
TG-1945 Transmission gasket FX20, FX22, FX24, (C)
FX235, FX255 Repl. 194555-24170

TG-4321 Transmission gasket FX26, FX28, FX32, FX42, (C)
FX335, FX435 Repl. 194640-24321

TG-4555 Transmission gasket FX20, FX22, FX24, (D)
FX235, FX255 Repl. 194555-24180
F20, F22, F24, F235, F255 Repl. 194605-24120

TG-4640 Transmission gasket FX26, FX28, FX32, FX42, (D)
FX335, FX435 Repl. 194640-24331

TG-4120 Gasket, rear trans housing FX26, FX28, FX32, FX42, (2)
FX335D, FX435D Repl. 194640-24120



PSG-2451 Power shift cover (regulator) gasket 1510, 1610, 1702, 1720, 1810, 2010, 2310
Repl. 194300-24511

TCG-4310 Power shift cover (regulator) gasket 336, 2210, 2610, 2620, 2820, 3110, 3220, 3810, 4220
Repl. 194310-24510

22x35x8TC Seal, power shift pump 1510, 1610, 1810
Repl. 24423-223508 (old # 194262-15140)

30x47x8TC Seal, power shift pump 2610, 3220, 4220
Repl. 194320-24480

PSPG-2441 Power shift pump gasket 2020, 2220, 2310, 2420
Repl. 194312-24410

TG-2441 Power shift pump gasket 226, 1610, 1720, 1810, 1820,
Repl. 194420-24410

PSPG-2483 Power shift pump gasket 276, 2020, 2220, 2310, 2420
Repl. 194312-24830

TG-2483 Power shift pump gasket 226, 1610, 1720, 1810, 1820
Repl. 194420-24830

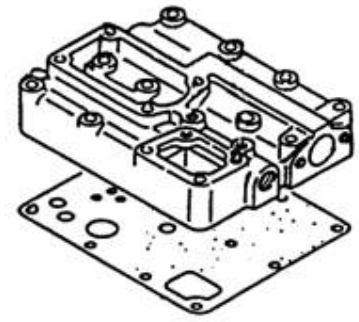
PSPG-2210 Power shift pump gasket 2210
Repl. 194310-24410

PSPG-4310 Power shift pump gasket 2210
Repl. 194310-24830

PSPG-4320 Power shift pump gasket 336, 2610, 3810
Repl. 194320-24430

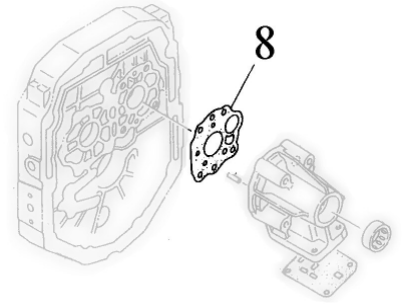
PSPG-2610 Power shift pump gasket 336, 2610, 3810
Repl. 194310-24830

PSPG-4640 Power shift valve gasket FX26, FX28, FX32, FX42
Repl. 194640-24820



PSPG-2442 Gasket, internal pump FX26, FX28, FX32, FX42 (6)
Repl. 194640-24420

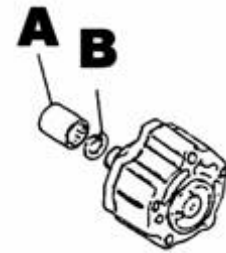
PSPG-4640 Gasket, power shift valve FX26, FX28, FX32, FX42 (8)
Repl. 194640-24820



SC-2618 Coupler, power shift pump 2210, 2310 (A)
Repl. 194190-26180 (Old 194310-25100 & 194150-25220)

SR-17 Snap ring for SC-2618 Repl. 22252-000170 (B)

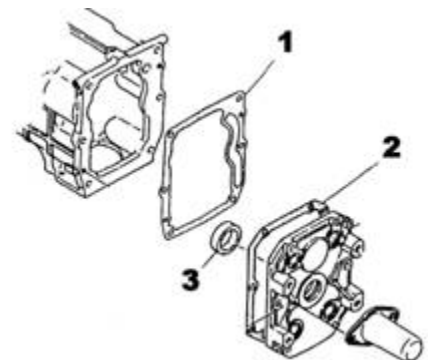
SC-2522 Coupler, power shift pump 2610, 2620, 2820, (A)
3220, 3810, 4220 Repl. 194110-25220 (L=38mm)



SC-4300 Coupler, power shift pump 186, 1110, (A)
1510, 1610, 1810 Repl. 194300-25100

TG-2412 Trans. Gasket 220, 226, 250, 1601, 1610, (1)
1802, 2002 Repl. 194420-24120

PTOG-2436 PTO cover plate gasket 1601, 1610, (2)
YMG1800, 1802, YMG2000, 2002
Repl. 194420-24360



38x55x8TC PTO seal 1601, 1610, 1702, 1720 (3)
Repl. 24421-385508 (Old # 194990-52600)

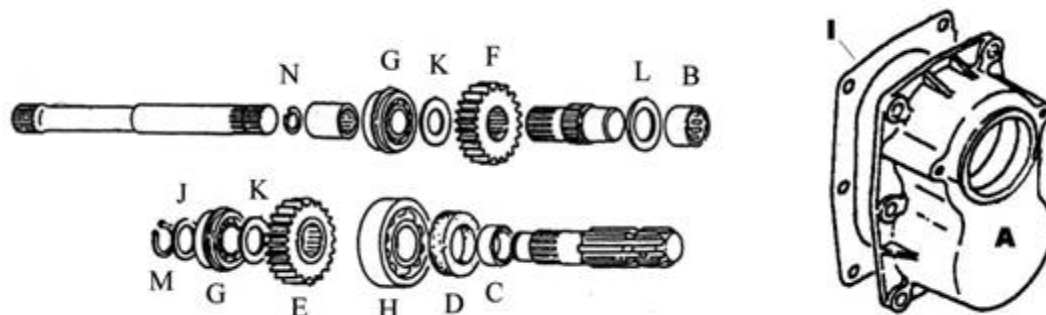
38x50x8TC PTO seal F16, F17, F18, FX18, F165D, (3)
187, 1602 Repl. 194197-24370

35x60x19QLF PTO seal F22, FX32, F37D, FX42, F46D, F215, (3)
FX215, F235, F255, FX285, FX305
Repl. 194370-26350

PT-4150 Inner PTO plate 195, 240, 1700 **RED**, 2000 **RED**
Repl. 194150-24451 (Plate has 3 – 20 mm and 1 – 18 mm hole)

PT-2020 Inner PTO plate 1600, 1700 **GREEN**, 1900, 2000 **GREEN**
(Plate has 4 – 20 mm holes) Repl. 194150-24450

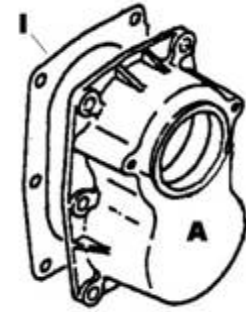
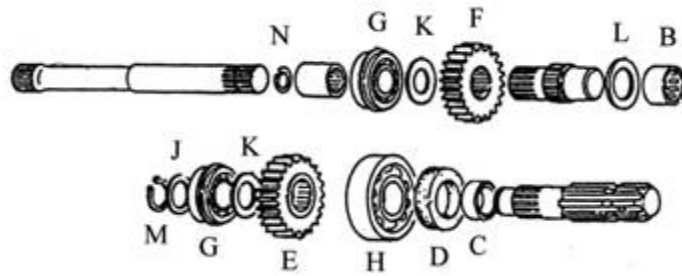




- PT-1500** PTO cover w/ needle bearing (NB-4162) for **YM1500** (A)
Repl. 194190-25361
- NB-4162** Needle bearing for PT-1500 Repl. 24162-253320 & 194190-25430 (B)
- SC-1500** PTO shaft collar (collar that seal rides on) 186, 226, 1500, 1502, (C)
1601, 1602, 1610, F16, FX17, F18, FX18, F165D Repl. 195040-13320
- 38x58x11TC** PTO seal – **YM1500 Repl.** 194151-39360 (D)
- PG-2676** PTO gear – 21 tooth (Lower) **1500** Repl. 194190-26761 (F)
- PG-2682** PTO gear – 22 tooth (Upper) **1500** Repl. 194190-26821 (E)
- 6205-2RSNR** Ball bearing, sealed **1500** Repl. 792010-99570 (G)
- 6206-2RSNR** Ball brg, sealed w/snap ring **2210** PTO Repl. 24121-062064 (G)
- 6206-2RS** Ball bearing, sealed 226, 1300, F17 Repl. 24101-062064 (H)
- 6306-2RS** Ball bearing, sealed 1500 Repl. 24101-063064 (H)
- SC-4130** PTO shaft collar (collar that seal rides on) 330, YMG1800, (C)
1802, 1810, 1820, YMG2000, 2002, 2020, 2202, 2220,
2310, 2402, 2420, 2500, 2610, 2620, 2700, 2820,
3000, 3110, 4500, F24, FX24, FX26, FX28 Repl. 194130-33452
- 42x60x9TC** PTO seal 330, YMG1800, 1802, 1810, 1820, YMG2000, (D)
2001, 2002, 2010, 2020, 2200, 2202, 2220, 2301, 2310, 2402,
2420, 2500, 2610, 2620, 2700, 2820, 3000, 3110, 3220, 4220, 4300,
4500, F20, F22, F24, FX24, FX26, FX28 Repl. 194130-26350
- 35x55x11TC** PTO seal 195, 240, 1600, 1700, 1900, 2000, (D)
2210, 2210B Repl. 24421-355511
- 40x62x8TC** PTO seal 135, 155, 165, 169, 1100, 1300, 1301, 1401, F14, F15, (D)
FF145D, FF155D Repl. 24421-406208 (old # 195140-13660)
- 38x55x8TC** PTO seal 186, 226, 1601, 1610, 1720
Repl. 24421-385508 (Old # 194990-52600) (D)
- 40x55x8TC** PTO seal 1110, 1510 Repl. 24421-40550 (D)
- 38x50x8TC** PTO seal 187, 1602, F16, F17, F18, F165Df Repl. 194197-24370 (D)

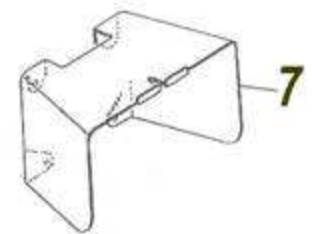
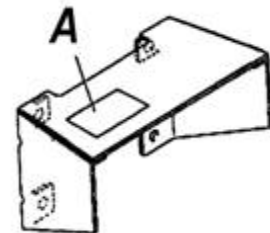
Continued on next page

Continued from previous page



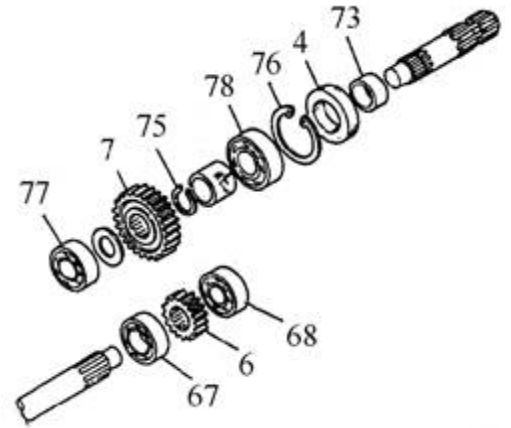
PTO G-4190	Gasket for PTO cover fits YM1500 Repl. 194190-25370	(I)
PTO W-4190	Spacer washer 1500 Repl. 194190-26840	(J)
PTO W-2637	PTO washer 1500 Repl. 194190-26730	(K)
PTO W-2854	PTO spacer 1500 Repl. 194191-28540	(L)
SR-25	Snap ring Repl. 22242-000250	(M)
SR-22	Snap ring Repl. 22252-000220	(N)

PTOS-1314	PTO safety shield 1300, 1401	
PTOS-4197	PTO safety shield F18, F20, F22, F24, 140, 1600, 1700, 1900, 2000, 2210 Repl. 194197-26911	
PTOS-4420	PTO safety shield 1601, 1610, 1702, 1720, 1802, 1810, 1820, 2002, 2020, 2202, 2220, 2301, 2310 Repl. 194420-26910	
PTOS-4327	PTO safety shield 2500, 2610, 2620, 2820, 3000, 3110, 3220, 3810, 4220 Repl. 194327-26910	(7)



PTO -2 Decal – **CAUTION Overrunning Clutch MUST Be (A) Used With ALL High Energy Implements such as Rotary Cutters**

- PTO G-14** Gear, PTO lower 1300 Repl. 194200-26390 (6)
- PTO G-25** Gear, PTO upper 1300 Repl. 194200-26420 (7)
- 6205-2RS** Bearing Repl. 24101-062054 (67)
- 6304-2RS** Bearing Repl. 24101-063044 (68)
- 40x62x8TC** Seal, PTO 1300 Repl. 194140-13660 (74)
- SR-30** Snap ring Repl. 22242-000300 (75)
- SR-62** Snap ring Repl. 22252-000620 (76)
- 6205-2RS** Bearing Repl. 24101-062054 (77)
- 6206-2RS** Bearing Repl. 24101-062064 (78)



- SL-4730** PTO speed shift arm 330, 2500, 3000
Repl. 194370-27830 (old # 194145-27830)

