

Group 5

Rear Axle & Brakes

Hydraulic valve and Rock shaft parts

HV-451 Hydraulic valve 195, 240, 1500, 1601, 1610, 1700, 2000, 2500, 2610, 3000, some 3110, 3810
Repl. 794361-45100-X (old # 794151-45101)

HVG-4151 Gasket for HV-451 valve Repl. 194151-45841

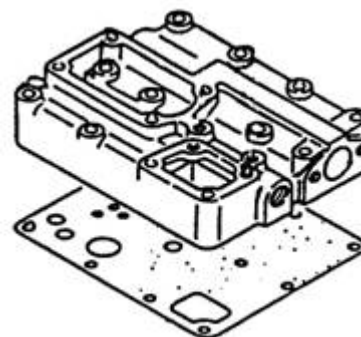
OR-110 O'ring, hyd. valve base Repl. 24315-000120

10x20x7TC Seal for hyd. valve Repl. 194151-45810



TCG-4310 Regulator (power shift cover) **gasket**
330, 336, 2210,
2610, 2620, 2820, 3110, 3220,
3810, 4220 Repl. 194310-24510

PSG-2451 Regulator (power shift cover) **gasket**
1510, 1610, 1702, 1720, 1810, 1820, 2010,
2020, 2310 Repl. 194300-24511

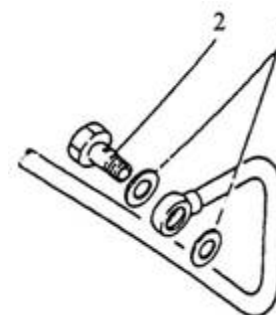


HLP-18 Hyd. line packing 1500, 1510, 1602, 1610, 1700, (1)
1702, 1720, YMG1800, 1810, 1820, 2000, YMG2000,
2010, 2020, 2200, 2202,
2210, 2310, 2402, 2500, 2610, 2620, 2700, 2820,
3000, 3220, 4220, F18D, FX18D, F20, FX20
Repl. 23414-180023

JB-1000 Joint bolt, hyd. line 1820, 2202, 2402, (2)
2620, 2820 Repl. 23857-100000

JB-1500 Joint bolt, hyd. line FX26, FX28, FX32, FX42, (2)
F46D, 2620, 2820, 4300 Repl. 23857-150000

PG-3414 Hyd line gasket 2020, 4300, FX26, FX28, (1)
FX32, FX42, F255, FX255 (Used with JB-1500)
Repl. 23414-200026



Hydraulic screen

HS-4145 Hyd. screen 330, 2500, 3000 Repl. 194145-48401

OR-600 O'ring, hyd. screen cover plate
330, 2500, 3000 Repl. 24321-000600



HS-4190 Hyd. screen 1500 Repl. 194190-42310

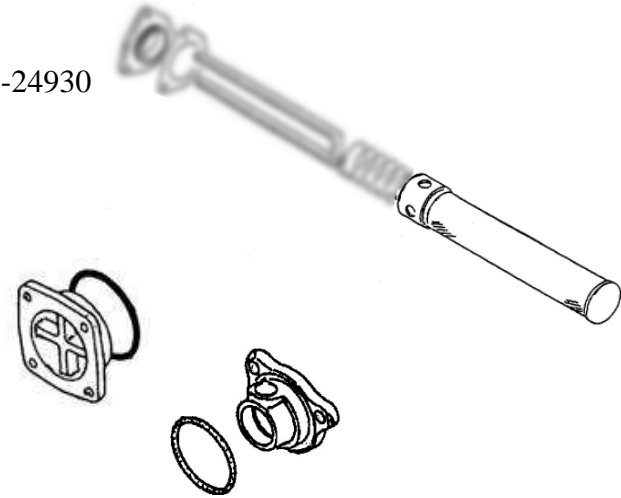
HS-4430 Hyd. screen F16, 180, 187, 220, 226, 250, 1502, 1602,
1702, 1720, YMG1800, 1802, 1810, 1820, YMG2000, 2002
Repl. 194430-24930

HS-4515 Hyd. screen F17, F18, FX18 Repl. 194515-24930

HS-4150 Hyd. screen 240(old style), 1700, 2000
Repl. 794150-42300

IP-4300 Strainer cover w/O'ring 186, 1510
Repl. 194300-24750

IP-4555 Strainer cover w/O'ring F20, F22, F24,
F215, F235, F255, F265
Repl. 194555-24220



HP-7C Hydraulic pump (Repl. GP1-C-7C)
180, 186, YMG1800, 1802, 1810, YMG2000,
2001, 2002, 2010, 2301, 2310 Repl. 194130-41120;
2200 Repl. 194100-41110

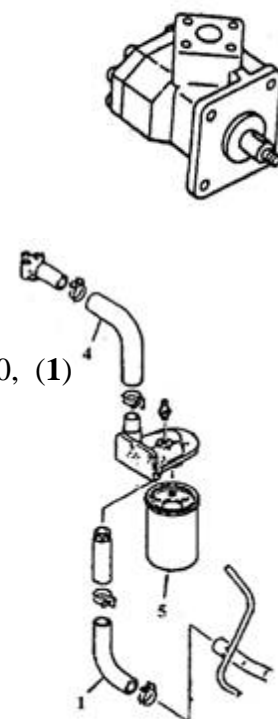
HP-9A Hydraulic pump (Repl. GP1-C-9A) 195, 240,
330, 2500, 2610, 3000, F22 Repl. 194145-41120

HF-1120 Hydraulic filter, spin-on – for '02 & '20 series (5)
F14, F15, F20, F22, F24, F215 Repl. 194250-48310

HH-4170 Hose, hyd return 1802, 1820, 2002, 2020, 2202, 2220, (1)
2402, 2420 Repl. 194170-48250

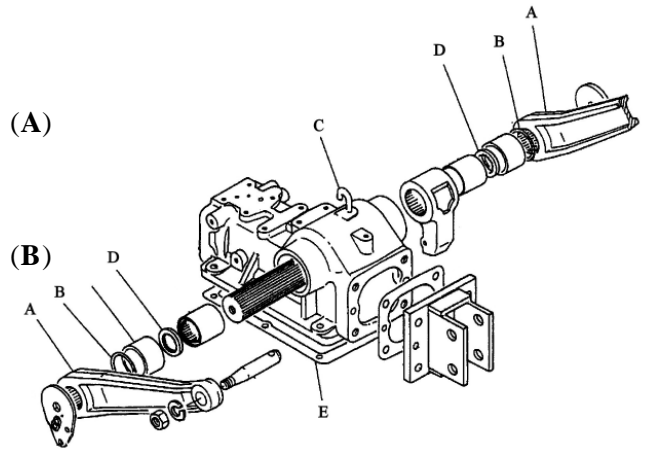
HRH-4550 Hose, hyd 1802, 1820, 2002, 2020, 2202, 2220, (4)
2402, 2420 Repl. 194550-48310

HH-4150 Hose, hyd 195, 240, 1100, 1500, 1700, 2000,
2500, 3000 Repl. 194150-48230



LA-4300 Lift arm w/pin, L or R 1510 (HD) (A)
 Repl. 194300-44421 / 194300-44410
186 Repl. 194195-44411

OR-450 Outer o'ring, rock shaft 187, 1510 (B)
 F14, F15 Repl. 24321-000450



AB-42280 Breather (vent) tube 195, 220, 240, 250, (C)
 1700, 2000, 2500, 3000 Repl. 194150-42280

OR-500 Rock shaft oring 195, 220, 226, 240, 250, 1500, 1600, 1601, (B)
 1610, 1700, 1702, 1720, YMG1800, 1802, 1810, 1900, 2000,
 YMG2000, 2001, 2002, 2010, 2210, 2210B, 2301, 2310,
 F17, FX17, F18, FX18 Repl. 24321-000500

OR-600 Rock shaft oring 2500, 2610, 2620, 2820, 3000, 3110, (B)
 3810, 4300 Repl. 24321-000600 (old# 24325-000600)

OR-650 Rock shaft oring FX26, FX28, F37D, F46D, FX285, FX305, (B)
 FX335, FX435 Repl. 24321-000651

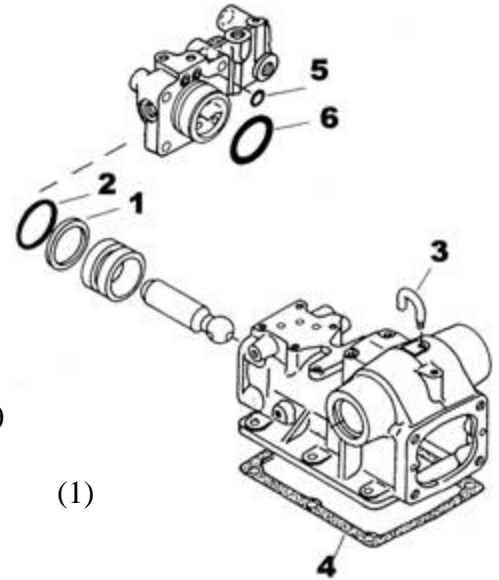
SS-4150 Splined rock shaft seal 195, 220, 226, 240, 250, 1500, 1600, (D)
 1601, 1610, 1700, 1702, 1720, YMG1800, 1802, 1810,
 1900, 2000, YMG2000, 2001, 2002, 2010, 2210, 2210B, 2301, 2310,
 F17, FX17, F18, FX18 Repl. 194150-44261

SS-4130 Splined rock shaft seal 330, 2500, 2610, 2620, (D)
 2820, 3000, 3110, 3810, 4300 Repl. 194130-44241
2200 w/bolt on end of rockshaft

SS-4170 Splined rock shaft seal 276, 2020, 2202, 2220, 2402, 2420, (D)
 F20, F22, F24, F215, F235, F265 Repl. 194170-44260

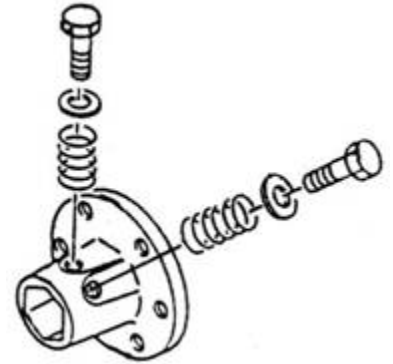
OR-4170 Rock shaft oring (same application as SS-4170) (B)
 Repl. 24321-000550

BUR-4130	Back up ring, hyd. piston 226, 276, 330, (1) YMG1800, 1810, YMG2000, 2001, 2200, 2202, 2210, 2210B, 2301, 2310, 2402, 2500, 2610, 2700, 3000, 3110, 4300, F20, FX20, F22, FX22, F24, FX24, F215, FX215 Repl. 194130-43351	
OR-700	O'ring, hyd. piston 276, 330, 2202, 2402, (2) 2500, 2610, 3000, 3110, 4300 Repl. 24311-000700	
BUR-4150	Back up ring, hyd. piston 195, 240, 1500, (1) 1600, 1602, 1610, 1700, 1900, 2000 Repl. 194150-43350	
OR-550	O'ring, hyd. piston 195, 240, 1500, 1600, (2) 1601, 1602, 1610, 1700, 1900, 2000 Repl. 24311-000550	
BUR-4440	Back up ring, hyd. piston 186, 1510 (1) Repl. 194440-43330	
OR-570	O'ring, hyd. piston 165, 186, 1100, 1300, (2) 1401, 1510, FF145D, FF155D Repl. 24311-570500 (old # 24315-570500)	
HPP-4250	Hyd piston packing 2620, 2820, 3220, 4220, (2) FX26, FX28, FX32, F37D, FX42, F46D Repl. 194250-43330	
AB-42280	Vent tube, common to many models (3) Repl. 194150-42280	
HCG-4197	Hyd. cover gasket 187, 1602 (4) Repl, 194197-42150	
HCG-4145	Hyd. cover gasket 330, 336, 2500, 2610, 3000, (4) 3110, 4300 Repl. 194145-42152	
HCG-4312	Hyd. cover gasket 195, 226, 240, 1500, 1601, (4) 1610, 1700, 1702, 1720, YMG1800, 1802, 1810, 1820, 2000, YMG2000, 2002, 2010, 2210, 2310 Repl. 194312-42150(old # 194151-42150)	
OR-600	Oring 240 Repl. 24321-000600 (6)	



Rear axle hub

- RH-347** Hub, rear axle 135, 155, 165, 1100, 1300, 1301, 1401 Repl. 194200-34711
(Includes hardware items shown)
- AS-1300** Rear axle seal 135, 155, 165, 1100, 1300 Red, 1301, 1401, F14, F15
Repl. 194200-34412
- 48x70x12TC** Rear axle seal 1300 Green Repl. 194200-34410
- 35x50x8TC** Seal, brake axle 135, 155, 165, 1300, 1401
Repl. 24421-355008 (old # 194200-33460)

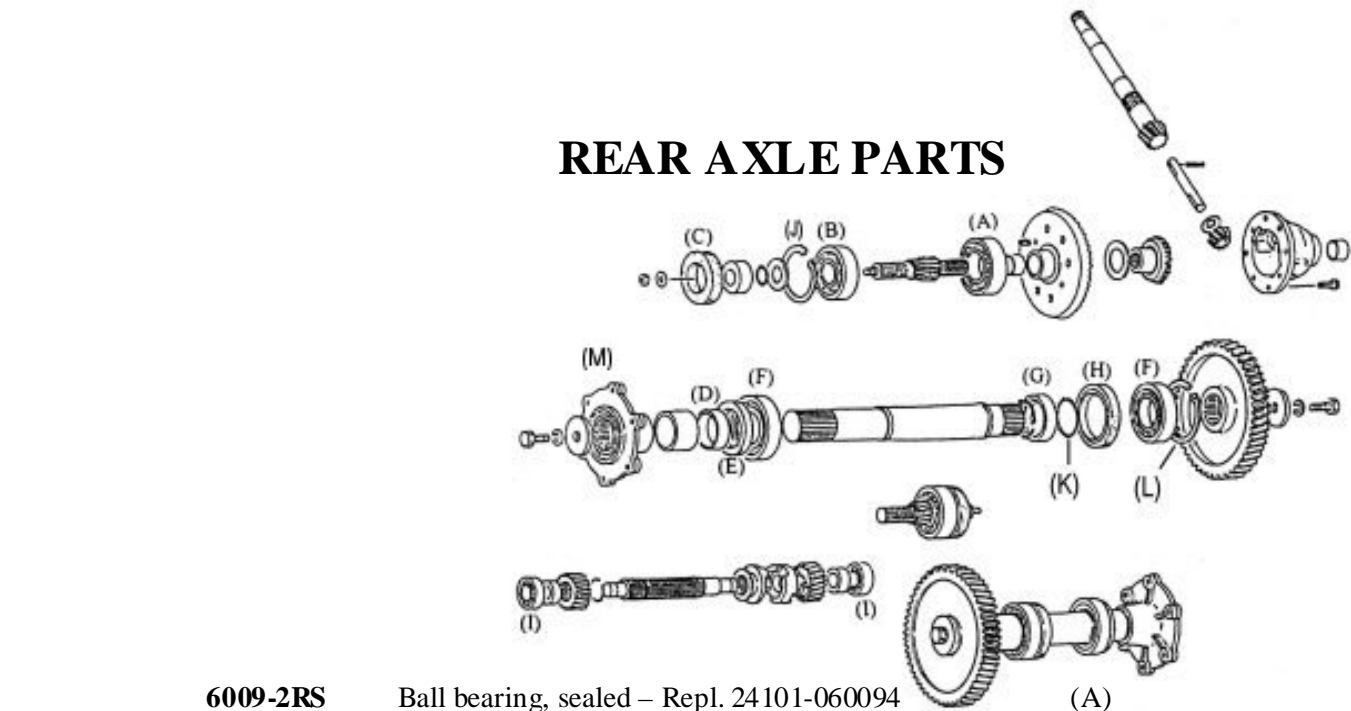


Rear axle oil seal case

- RAC-34312** Rear axle oil seal case, YM1500 RED
Replaces 194190-34312
- 55x75x9TC** Rear axle seal, outer 1500, 1600, 1700, 1900, 2000 Repl. 24421-557509 (old # 194150-34370)
- RAC-4134** Rear axle oil seal case 2200, 2500, 2700
Repl. 194134-32710 (old # 194130-34310)
- RAC-3271** Rear axle oil seal case 330, 336, 3000, 3110
Repl. 194145-32710
- RAC-4640** Rear axle oil seal case FX26, FX28, FX32, FX42, FX285, FX305 Repl. 194640-32650
- 60x82x9TC** Seal, 2210 outer rear axle Repl. 24421-608209 (Old # 194310-34180)
- 60x82x6VC** Seal, dust, 2210 rear axle Repl. 24430-608206
- AS-3417** Rear axle collar 2210 Repl. 194310-34170
- OR-500** O'ring 1500, 1702, 1720, 2210 Repl. 24321-000500
- 6210-2RS** Axle bearing 2210 Repl. 24101-062104

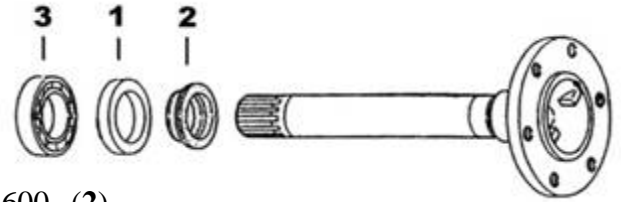


REAR AXLE PARTS



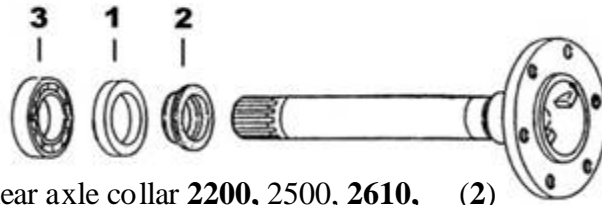
6009-2RS	Ball bearing, sealed – Repl. 24 101-060094	(A)
6306-2RS	Ball bearing, sealed – Repl. 24 101-063064	(B)
45x72x12TC	Seal, brake shaft 1500 Red or Green Repl. 194190-32370 & 24421-457212	(C)
40x62x8TC	Seal, brake shaft 186 Repl. 24421-406208	(C)
AC-4150	Axle collar 1500 Red, 2000 Repl. 194150-34360	(D)
AC-1500	Axle collar 1500 Green Repl. 194190-34170	(D)
55x75x9TC	Seal, outer axle 1500 Red, 1700, 2000 Repl. 24421-557509 (old # 194150-34370)	(E)
AS-1500	Seal, outer 1500 Green Repl. 194190-32420	(E)
6209-2RS	Ball bearing, sealed – Repl. 24 102-062090	(F)
AC-1500	Axle collar 1500 Red Repl. 194190-34172	(G)
AS-1500	Axle, inner seal 1500 Repl. 194190-32421	(H)
6304-2RS	Ball bearing, sealed – Repl. 24 101-063044	(I)
SR-720	Snap ring, brake shaft Repl. 22252-000720	(J)
OR-1500	Oring, inner axle collar 1500 Repl. 24311-000450	(K)
SR-850	Snap ring, inner brg retainer Repl. 22252-000850	(L)
RAH-4150	Rear axle hub 1500, 195, 240, 1700, 2000 Repl. 194150-34510	(M)

Rear axle parts



- AC-4150** Rear axle collar, outer 195, 240, 1500,1600, (2)
1700, 1900, 2000 Repl. 194150-34360
- 55x75x9TC** Rear axle seal, outer 195, 240, 1110, 1500, 1600, 1700, (1)
1900, 2000 Repl. 24421-557509 (old # 194150-34370)
- 45x68x9TC** Rear axle seal, outer 2001, 2301 Repl. 194080-09350 (1)
- AS-4447** Rear axle seal 226, 1502, 1510, 1602, 1610, 1702, 1720, (1)
YMG1800, 1802, 1810, 1820, YMG2000, 2002, F18, FX18,
F24, FX24 Repl. 194447-14140
- AC-4447** Rear axle collar 226, 1502, 1510, 1602, 1610, 1702, 1720, (2)
YMG1800, 1802, 1810, 1820, YMG2000, 2002, F18, FX18,
F24, FX24 Repl. 194447-14180
- 6009-2RS** Rear axle bearing 1510 (3)
- 6209-2RS** Rear axle bearing 195, 240, 1702, 1720, (3)
1802, 1810, 1820, 2002 Repl. 24101-062094
- 62x80x12TC** Rear axle seal 276, 2020, 2310, 2202, (1)
2402 Repl. 194312-32660
- AC-4312** Rear Axle collar 276, 2010, 2020, 2202, (2)
2310, 2402 Repl. 194312-32670
- 6210-2RS** Rear axle bearing 276, 2020, 2210, 2310 (3)
Repl. 24101-062104
- AS-3417** Rear axle seal collar 2210 Repl. 194310-34170 (2)
- 60x82x6VC** Rear axle dust seal 2210 Repl. 24430-608206 (1)
- 60x82x9TC** Rear axle seal 2210 Repl. 24421-608209 (1)
(Old # 194310-34180)

Rear axle parts



- AC-4130** Rear axle collar **2200, 2500, 2610,** (2)
2700 Repl. 194130-34360
- 58x80x12TC** Standard lip seal 2500, **2610** (1)
Repl. 194134-32800
- AS-2200** Rear axle seal **w/flange** (1)
2200, 2500, 2610, 2700 Repl. 194130-34350
- SC-4145** Rear axle seal collar 2500, 2620, 2820, 3000, 3110D, (2)
3220, 3810, 4220, 4300, FX26, FX28, FX32, F37D,
F46D, FX42 Repl. 194145-34360
- 75x100x13TC** Rear axle seal 2620, 2820, FX26, FX28, (1)
F37D, F46D, FX285, FX305 **Repl. 194327-32730**
- 75x100x13TC** Rear axle seal 3000, 3110, 4300 (1)
Repl. 24421-750013
- 75x100x7TC** Rear axle dust seal 3000, 3110, 4300 (1)
Repl. 24430-750007
- 6210-2RSNR** Rear axle bearing w/snap ring 2200, 2500, 2610, (3)
2700 Repl. 194130-34210 & 24121-062104
- 6212-2RS** Rear axle bearing 2620, 2820, 4300, (3)
FX26, FX28, F37D, F46D Repl. 24101-062124
- 6209-2RS** Rear axle bearing 226, 1700, 2000, (3)
YMG1800, YMG2000 Repl. 24102-62094
- AC-4447** Axle seal collar, rear 226, 1502, 1610, 1702, (2)
1720, YMG1800, 1802, YMG2000, 2002, 2010
Repl. 194447-14180
- AS-4447** Seal, rear axle 226, 1502, 1610, 1702, 1720, (1)
YMG1800, 1802, YMG2000, 2002
Repl. 194447-14140

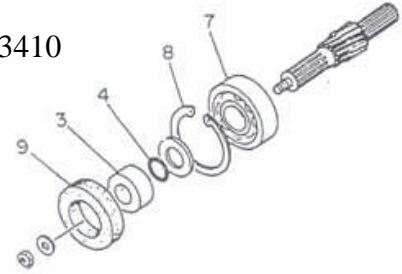
Brake stub axle & parts



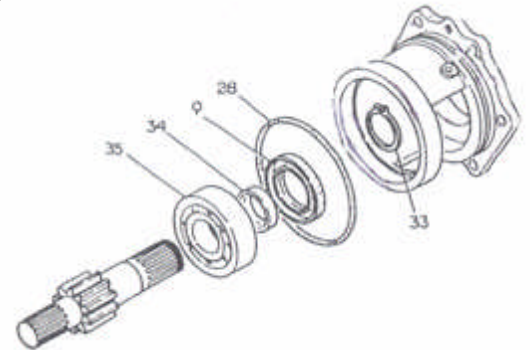
- SA-3341** RH stub axle for 1601, 1610 Repl. 194420-33410
- SA-4430** RH stub axle 226, YMG1800, 1810, YMG2000 Repl. 194430-33410
- SA-4520** RH stub axle 1802, 1820, 2002 Repl. 194520-33410
- SA-4550** RH stub axle 2020, 2202, 2220, 2402, 2420 Repl. 194550-33410

Brake stub axle parts

- 6306-2RS** Bearing, brake axle 195, 240, 1500, 1600, 1700, 1900, (7)
2000 Repl. 24104-063064
- SR-720** Snap ring 1500 Repl. 22252-000720 (8)
- 35x50x8TC** Seal, brake axle 135, 155, 165, 1300, 1401 (9)
Repl. 24421-355008 (old # 194200-33460)
- 38x58x11TC** Seal, brake axle 195, 240, 1600, 1700, 1900, 2000 (9)
Repl. 194150-33460
- 45x72x12TC** Seal, brake axle 1500 Repl. 24421-457212 (old # 194190-32370) (9)
- SC-2545** Seal collar, brake axle 1500 RED or GREEN Repl. 194190-33430 (3)

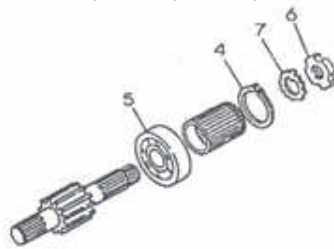
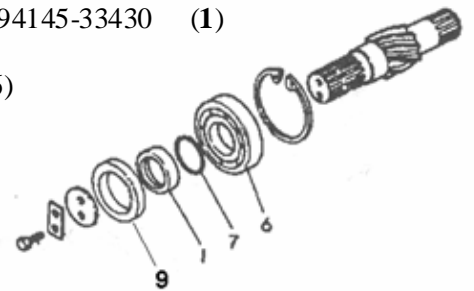


- 35x55x8TC** Seal, brake axle 220, 226, 1601, 1610 (9)
Repl. 194420-24340;
YMG1800, YMG2000 Repl. 195100-12430
- OR-1000** Oring 226, 1601, 1610 Repl. 24321-001000 (28)
- SR-29** Snap ring 226, 1601, 1610 Repl. 22242-000290 (33)
- SC-4420** Seal collar, brake axle 226, 1601, 1610, YMG1800, 1810, (34)
YMG2000 Repl. 194420-39370 (Old # 194420-26650)
- 6306-2RS** Bearing, brake axle 195, 226, 240, (35)
1601, 1610, YMG1800, 1802, 1820,
YMG2000, 2002 Repl. 24101-063064



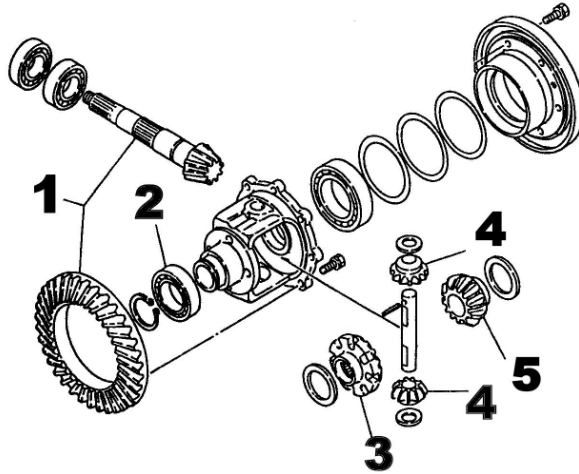
Brake stub axle parts continued

- SC-4310** Seal collar, brake axle 2210 Repl. 194310-33440 (1)
- SC-4130** Seal collar, brake axle 2200, 2500, 2700 Repl. 194130-33450 (1)
- AC-3344** Seal collar, brake axle 276, 2001, 2010, 2301, 2310 Repl. 194312-33440 (1)
- SC-3343** Seal collar, brake axle 2610, 3000, 3110, 3810 Repl. 194145-33430 (1)
- 6208-2RS** Bearing 2001, 2010, 2210, 2220, 2301, 2310, 2420 Repl. 24101-062084 (6)
- 6307-2RS** Bearing 2500 Repl. 24104-063074 (6)
- 6308-2RS** Bearing, brake axle 3000 Repl. 24104-063084 (6)
- OR-350** Oring 2210 Repl. 24321-000350 (7)
- 50x70x10TC** Seal 2210 Repl. 194310-33450 (9)
- 42x80x9TC** Seal, brake axle 2200, 2500, 2700 Repl. 194130-33461 (9)
- 45x68x9TC** Seal, brake axle 276, 2001, 2010, 2301, 2310 Repl. 194080-09350 (9)
- 55x78x12TC** Seal, brake axle 2610, 3000, 3110, 3810 Repl. 194145-32660 (9)

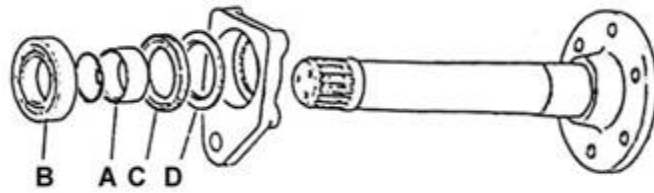


- SR-242** Snap ring 2620, 2820, 3220, 4220 Repl. 22242-000550 (4)
- 6308-2RS** Bearing, brake axle 2620, 2820, 3220, 4220 Repl. 24101-063084 (5)
- LN-35** Lock nut 2620, 2820, 3220, 4220 Repl. 24211-035002 (6)
- LW-35** Lock washer 2620, 2820, 3220, 4220 Repl. 24231-035000 (7)

Rear Axle Parts



- | | | |
|-----------------|--|-----|
| RGP-4555 | Ring gear (8 bolt) & pinion F20, FX20, F22, FX22, F24, FX24 Repl. 194555-31300 | (1) |
| 6008-2RS | Ball bearing Repl. 24101-060084 | (2) |
| SG-4555 | LH pinion gear F20, FX20, F22, FX22, F24, FX24 Repl. 194555-31500 | (3) |
| SG-3180 | Spider gear F20, FX20, F22, FX22, F24, FX24, 276D Repl. 194310-31800 | (4) |
| SG-3151 | RH pinion gear F20, FX20, F22, FX22, F24, FX24 Repl. 194555-31510 | (5) |



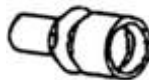
- | | |
|------------------|--|
| AS-3417 | Rear axle seal collar 2210 (A)
Repl. 194310-34170 |
| 6210-2RS | Rear axle brg 2210 (B)
Repl. 24101-062104 |
| 60x82x6VC | Rear axle dust seal 2210 (C)
Repl. 24430-608206 |
| 60x82x9TC | Rear axle outer seal 2210 (D)
Repl. 24421-608209 (old # 194310-34180) |

Brake Rod Boot

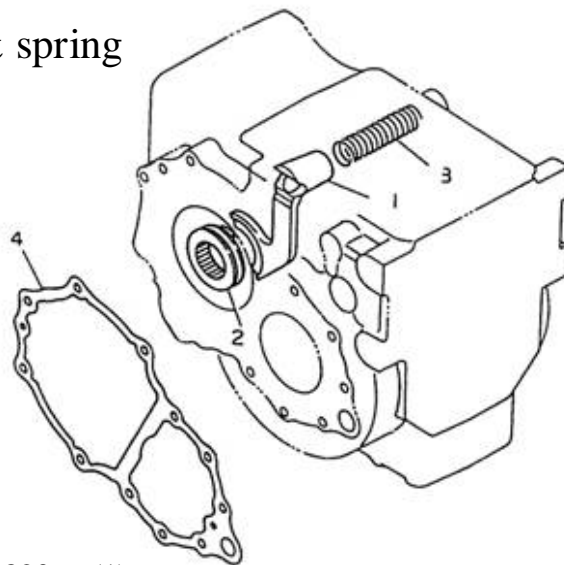
BRB-3691 Brake rod boot for 1702, 1720, 1802, 1820, 2002, 2020, 2202, 2220, 2402, 2420 Repl. 194550-36910



BRB-1602 Brake rod boot for 1602, F16
Repl. 194205-36474



Differential lock, shifter & spring



SF-4430 Shifter fork 226, YMG1800, 1802, 1810, 1820, (1)
YMG2000, 2002 Repl. 194430-33140

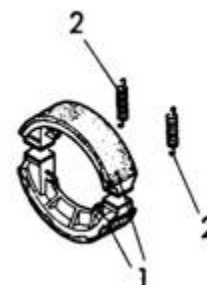
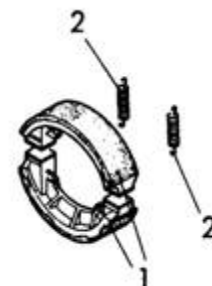
DL-4361 Differential lock 226, YMG1800, 1802, 1810, 1820, (2)
YMG2000, 2002 Repl. 194361-33100

DLS-4150 Differential lock return spring 226, 1600, (3)
YMG1800, 1802, 1810, 1820, 1900,
YMG2000, 2002 Repl. 194150-33150

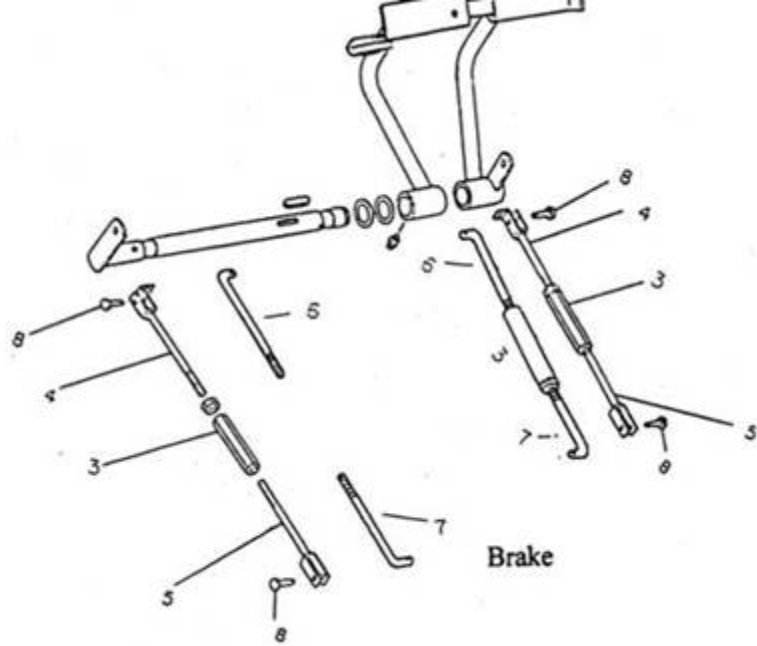
RAHG-4420 Rear axle housing gasket 226, 1601, 1610, (4)
YMG1800, 1810, YMG2000
Repl. 194420-32620

Brake Shoes & Springs

- BS-4150** Brake shoe **38mm** wide 195, 240, 1500, 1700 **Red**,
1900, 2000 **Red** Repl. 194150-36520 (Old # 194150-36511)
- BS-4312** Brake shoe 276, 2001, 2010, 2301, 2310 Repl. 194312-36511
- BS-4430** Brake shoe 1810, YMG1800, YMG2000
Repl. 194430-36511
- BRS-4150** Brake **return spring** 195, 220, 226, 240, 250, 276, (2)
1500, 1502, 1600, 1601, 1610, 1700, YMG1800, 1810, 1900,
2000, YMG2000, 2001, 2010, 2301, 2310 Repl. 194150-36550
- BS-4130** Brake shoe 2200, 2500, 2700 Repl. 194130-36510
- BRS-4130** Brake **return spring** 2200, 2500, 2700 Repl. 194130-36550 (2)
- BS-4420** Brake shoe 220, 226, 250, 1601, 1610
Repl. 194420-36510
- BS-4310** Brake shoe 2210 Repl. 194310-36510
- BRS-4310** Brake **return spring** 2210 Repl. 194310-36550 (2)
- BS-4201** Brake shoe 135, 155, 165, 169, 1100, 1300
Repl. 194200-36512
- BS-1401** Brake shoe 1301, 1401 Repl. 194201-36511 & 794201-36510
- BRS-4200** Brake **return spring** 155, 165, 169, 180, 186, 1100, 1110, (2)
1300, 1401, 1510 Repl. 194200-36551
- BS-4145** Brake shoe 330, 3000 Repl. 194145-36510
- BRS-4145** Brake **return spring** 330, 336, 2610, 3000, (2)
3110, 3810, 4300, 4500 Repl. 194145-36551
- BS-4320** Brake shoe 336, 2610, 3110, 3810
Repl. 194320-36511 (old # 194320-36510)
- BS-4440** Brake shoe 180, 186, 187, 1110, 1510
Repl. 198223-36510 (old #194440-36530 & 194300-36500)

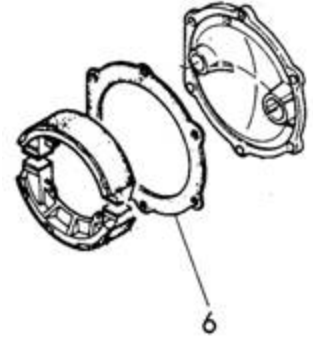


- BPS-4145** Brake pedal return spring
2500, 3000
Repl. 194145-37511
- BR-4145 (4)** Brake rod end – RH thread
330, 3000
Repl. 194145-37771
(OAL approx. 13”)
- BR-103 (3)** Brake turnbuckle – 140, 147, 220,
195, 226, 240, 250, 276, 330,
1500, 1510, 1600, 1601, 1602, 1610, 1700, YMG1800, 1810, 1900, 2000,
YMG2000, 2010, 2200, 2210, 2220, 2240, 2310, 2500, 3000, 3220, 3810,
4220, 4300, F20, F24, F215, F255
Repl. 194151-37730 (10mm X 90mm OAL)
- BR-102 (4)** Brake rod end – RH thread – 140, 147, 195, 240, 1510, 1700, 2000, 2210, 2500,
F18; RH side F20, F24 Repl. 194151-37771;
F215, FX215, F255, FX255 Repl 194134-37771 **(OAL 11-1/2”)**
- BR-475 (4)** Brake rod end – RH thread – 1500
Repl. 194190-37771 (OAL approx. 9-1/4”)
- BR-4320 (4)** Brake rod end – RH thread 336, 2610, 3110, 3810, 4300
Repl. 194320-37770-X (OAL approx. 8”)
- BR-4420 (4)** Brake rod end – RH thread 220, 226, 250, 276, 1601, 1610, 1810,
2010, 2301, 2310 Repl. 194420-37770 (OAL approx. 10”)
- BR-3775 (4)** Brake rod end – RH thread 2200, 2620, 2700, 2820, 3220,
4220 Repl. 194130-37750 (OAL approx. 4-1/8”)
- BR-100 (5)** Brake rod end – LH thread – 140, 146, 147, 195, 220, 226, 240, 250, 330, 1500,
1510, 1601, 1610, 1700, YMG1800, 1810, YMG2000, 2000, 2200, 2210, 2500,
2610, 2620, 2700, 2820, 3000, 3110, 3220, 3810, 4220, 4300; RH side F20, F24,
F215, FX215, F255, FX255 Repl. 194130-37740 (OAL approx. 4-3/8”)
- BR-101 (5)** Brake rod end – LH thread 276, 2010, 2310, 2620, 2820,
F18, FX18 Repl. 194310-37741 (OAL approx. 8”)
- BR-3776 (6)** Brake rod end – LH thread 1600, 1700 **Green**, 1900,
2000 **Green**. Repl. 194150-37760 (OAL approx. 5-1/2”)
- BR-3777 (7)** **Brake rod** end – RH thread 1600, 1700 **Green**, 1900,
2000 **Green**. Repl. 194150-37770 (OAL approx. 9-1/2”)
- CP-118 (8)** Brake rod clevis pin w/hair pin clip Repl. 194080-37781



Brake Cover Gaskets

- BCG-3643** Brake cover gasket 135, 155, 165, 169, 1300, 1401, (6)
F14, F15 Repl. 194200-36430 / 194200-36420
- BCG-4150** Brake cover gasket 195, 240, 1500, 1600, 1700, (6)
1900, 2000 Repl. 194150-36331 & 194150-36630
- BCG-4300** Brake cover gasket 186, 1510 (6)
Repl. 194300-3630 & 194300-36850
- BCG-4320** Brake cover gasket 330, 336, 2610, 3000, (6)
3110, 3810, 4300 Repl. 194320-39380 & 194145-36630
- BCG-4420** Brake cover gasket 226, 1601, 1610, YMG1800, (6)
1810, YMG2000 Repl. 194420-36330 & 194420-36320
- BCG-4312** Brake cover gasket 276, 2001, 2010, 2301, 2310 (6)
Repl. 194312-36330 & 194312-36320



Brake Camshaft

- BC-3671** Brake camshaft, LH 220, 226, 250, 276, 1601, (6)
1610, 1810, 2010, 2310 Repl. 194312-36710
- BC-3672** Brake camshaft, RH 220, 226, 250, 276, 1601, (5)
1610, 1810, 2010, 2310 Repl. 194312-36720

SR-850 Snap ring F20, FX20, F22, (1)
FX22, F24, FX24
Repl. 22252-000850

6208-2RS Bearing F17, F20, FX20, F22, (2)
FX22, F24, FX24
Repl. 24101-62084

6207-2RS Bearing F20, FX20 (3)
F22, FX22, F24, FX24
Repl. 24101-062070

AS-4447 Axle seal F17, F20, FX20 (6)
F22, FX22, F24, FX24
Repl. 194447-14140

AC-4447 Axle collar F17, F18, F20, FX20, (7)
F22, FX22, F24, FX24
Repl. 194447-14180

6209-2RS Bearing F17, F20, FX20, F22, FX22, (8)
F24, FX24 Repl. 24101-062094

