



**SW-150** Steering wheel w/cap, **keyed**, 1500, 1600, 1700, 1900, 2000, 2200, 2210, 2210B, 2500, 2700, 3000  
Repl. 194145-15710, 194150-15710, 194130-15710



**WK-519** Woodruff key for SW-150 steering wheel Repl. 22522-050190

**SW-420** Steering wheel w/cap, **fine spline**, 187, 220, 226, 1300, 1601, 1610, 1700B, 1702, 1720, YMG1800, 1802, 1820, 2000B, YMG2000, 2002, 2010, 2020, 2202, 2220, 2301, 2310, 2402, 2420, 2610, 2620, 2820, 3110, 3220, **F17, FX17**  
Repl. 194420-15700, 194420-15710



**SW-440** Steering wheel w/cap, **coarse spline**, F14, F15, F16, 140, 147, 165, 169, 1100, 1301, 1401, 1502, 1510, 1602  
Repl. 194440-15700, 194440-15800

**SW-555** Steering wheel w/cap, **fine spline**, F18, FX18, F20, FX20, F22, FX22, F24, FX24, FX26, FX28, FX32, F37, FX42, F46, FX285, FX305 Repl. 194555-15700

**SWN-120** **Steering wheel nut** 140, 147, 226, 1100, 1110, 1301, 1401, 1502, 1510, 1601, 1602, 1610, 1700B, 1702, 1720, 1802, 1810, 1820, 2000B, 2002, 2010, 2020, 2202, 2220, 2301, 2310, 2402, 2610, 4300, F18, F20, F22, F24  
Repl. 26776-120002, 26356-120002 & 26777-120002

**SWN-4130** **Steering wheel nut** 1500, 1600, 1700, 2000, 2200, 2210, 2210B, 2500, 2700, 3000 Repl. 194130-15530

**SWN-6716** **Strg wheel nut** 1300 Repl. 26716-120000 (old # 26717-120002)

**SW-4930** Steering wheel center cap, common to many models. A = 49.30mm

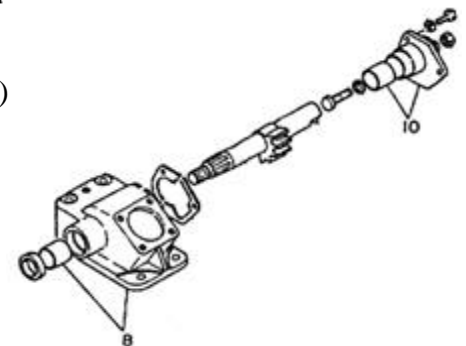


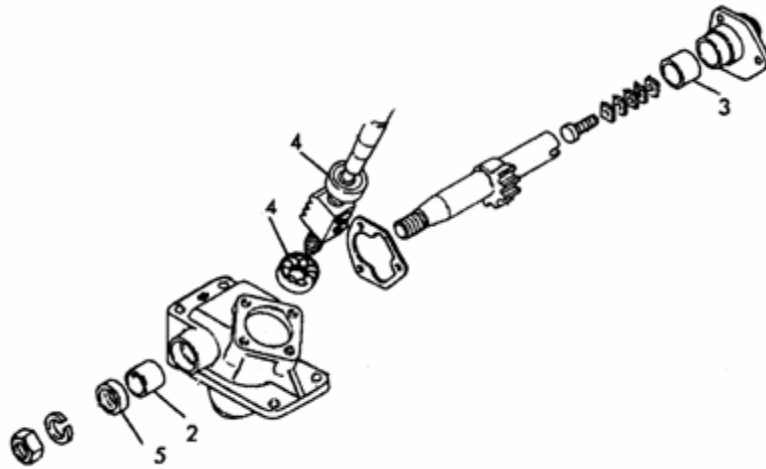
**SW-6320** Steering wheel center cap, common to many models. A = 63.20mm



**SCB-1511** Strg box YMG1800, YMG2000, 2010, 2020, 2210 (8)  
Repl. 194241-15110

**SC-1515** Side cover w/bushing 1601, 1610, YMG1800, (10) YMG2000, 2010, 2210B Repl 194310-15150; 1500, 1600, 1700, 1900, 2000 Repl. 194197-15150



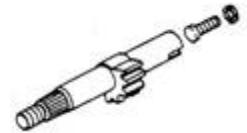


**SB-2616** Bushing 1500, 1700, 2000

**SB-2630** Bushing 2210, 2610

**SB-2637** Bushing 1500, 1700, 2000

**SSS-4262** Steering sector shaft, horizontal F165D, 122, 126, 135, 135D, 140, 142, 146, 147, 186, 1300 Red, 1301, 1401, 1502, 1510, 1602 Repl. 194262-15410  
**155, 155D, 165, 165D** Repl. 194340-15140



**SSS-4310** Steering sector shaft, horizontal 187, **195D**, 220, 226, **240D**, 1601, 1610, 1700D, YMG1800, 1802, 1810, YMG2000, 2001, 2002, 2202, 2210, 2210B, 2220, 2301, 2310, 2402, 2420 Repl. 194310-15411

**SSS-4740** Steering sector shaft, horizontal **195 2wd, 240 2wd**, 1500, 1600, 1700, 1900, 2000, 2200, 2700 Repl. 194740-55140

**SSS-4145** Steering sector shaft, horizontal 330, 2500, 2610, 2620, 2820, 3000, 3110, 3810  
Repl. 194274-15410 (old # 194145-15410)

**26x38x7TC** Strg output shaft seal 135, 155, 165, 169, new 186, 195, 226, 240, 1500, 1600, 1601, 1610, 1700, YMG1800, 1900, 2000, YMG2000, 2010, 2020, 2200, 2210, 2220, 2310, 2420, F17, FX17 Repl. 194740-55620

**22x35x8TC** Strg output shaft seal 122, 126, 140, 142, 146, 147, old 186, 1301, 1401, 1502, 1510, 1602, F14, F15, FF145D, FF155D, F165D  
Repl. 24423-223508 (old # 194262-15140)

**SBS-4080** Strg output shaft seal 330, 2500, 2610, 2620, 2820, 3000, F20, FX20, F24, FX24, F255, FX255  
Repl. 194080-15140

**SBS-4454** Strg output shaft seal (power steering only) F20D, FX20D, F255D Repl. 194454-15280

**SC-1550** Steering shaft w/ worm gear 195, 240, 1500, 1600, 1700, 1900 (A)  
2000, 2200, 2210, 2700 Repl. 794130-15500 (**Brgs not included**)

**SC-2500** Steering shaft w/worm gear 330, 2500, 3000 (A)  
Repl. 194145-15500 (**Brgs not included**)  
2610 Repl. 194330-15500 (**Req. purchase of SW-150 strg wheel**)

**WK-519** Woodruff key for SC-1550 & SC-2500 strg column  
Repl. 22522-050190

**SC-4166** Steering shaft w/worm gear (2-pc) 1601, 1610, YMG1800, (A)  
1802, 1810, 1820, YMG2000, 2001, 2002, 2010, 2020, 2202,  
2220, 2301, 2310, 2402, 2420 Repl. 194166-15500;  
2210, 2210B Repl. 194310-15500 (**Brgs not included**)

**SC-4440** Steering shaft w/worm gear (2-pc) 140, 147, old 186, (A)  
1401, 1510, F175 Repl. 194440-15500 (**Brgs not included**)

**SC-4340** Steering shaft w/worm gear 165, 155 (A)  
Repl. 794340-15500 & 794200-15500 (**Brgs not included**)  
135, 1100, 1300 Red Repl. 794262-15500 (**Req. purchase of SW-440 steering wheel**)

**SB-750** Steering column brg. (2 per column) 135, 155, 165, 169, 180, (B)  
New 186, 187, 195, 220, 226, 240, 250, 1500, 1600, 1601,  
1610, 1700D, 1702, 1720, YMG1800, 1802, 1810, 1820, 2000,  
YMG2000, 2001, 2002, 2010, 2020, 2200, 2202, 2210, 2220, 2301,  
2310, 2402, 2420, F17, FX17, F18, FX18 Repl. 194750-15520

**SB-4145** Steering column bearing (2 per column) 276, 330, 330D, 1300, 2500, (B)  
2610, 2620, 2820, 3000, 3110, F20, FX20, F24, FX24, F215, FX215,  
F235, FX235, F255, FX255, F265, FX265 Repl. 194145-15310

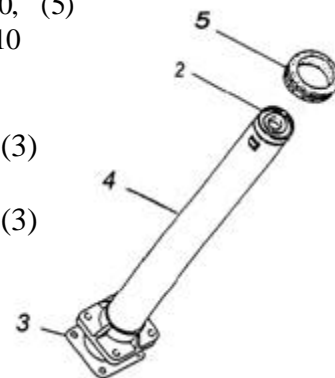
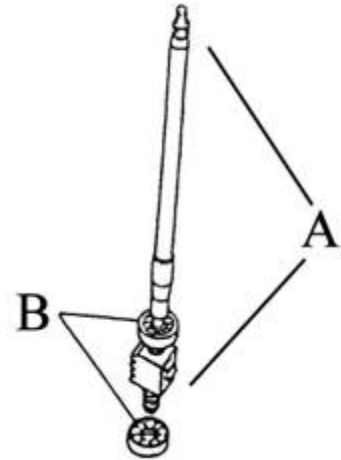
**SB-262** Steering column bearing (2 per column) F14, F15, (B)  
F16, 122, 126, 135, 140, 142, 146, 147, old 186, 1100, 1301, 1401, 1502,  
1510, 1602, FF145D, FF155D, F165D Repl. 194262-15520

**SCG-42** Steering column grommet 195, 240, 1601, 1610, 1700, (5)  
1702, 1802, 2000, 2002, 2210, 2310, 2500, 3000, 3810  
Repl. 194990-72050 & 194145-15650

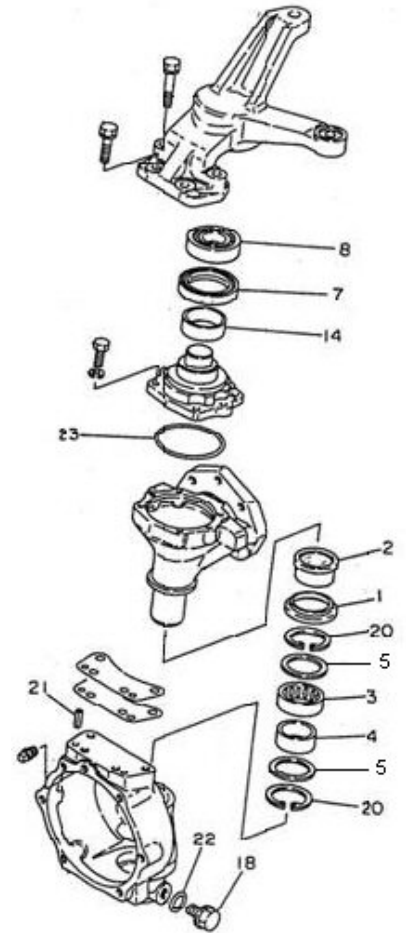
**SCS-1** Strg column shim 0.1 thick Repl. 194750-15280 (3)

**SCS-2** Strg column shim 0.2 thick Repl. 194750-15290 (3)

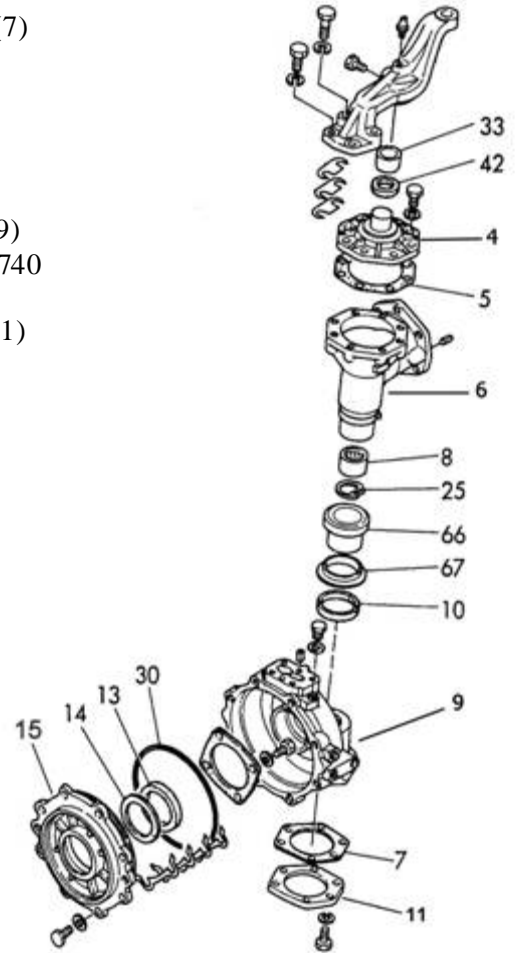
**SCS-3** Strg column shim 0.3 thick (3)



- SC-4190** Strg column tube, includes # 2, 1500, 1700, 2000 (4)  
Repl. 194190-15200
- AS-1363** Front axle hsg collar F16D, F17D, FX17D, F18D, (1)  
FX18D, FF145D, FF155D, F165D, F195D, FX195D,  
140D, 147D, 169D Repl. 194306-13630
- AS-4306** Front axle hsg sleeve F16D, F17D, FX17D, (2)  
F18D, FX18D, FF145D, FF155D, F165D, F195D,  
FX195D, 140D, 147D, 169D Repl. 194306-13640
- 44x57x11.5TC** Front axle hsg seal F14D, F15D, F16D, F17D, (2A)  
F18D, FX18D, FF145D, FF155D, F165D, F195D,  
FX195D, 140D, 147D, 169D Repl. 194447-13650
- AW-4447** Washer F14D, F15D, F16D, F17D, FX17D, F18D, (5)  
FX18D, FF145D, FF155D Repl. 194447-13680
- 50x68x12.5** Seal, top cover F17D, FX17D, F18D, FX18D (7)  
Repl. 194516-13780
- 6206-2RS** Ball bearing F17D, FX17D, F18D, FX18D (8)  
Repl. 24104-062064
- DP-114** Drain plug Repl. 194151-24770 (18)
- OR-160** Oring for DP-114 drain plug Repl. 24311-000160 (22)



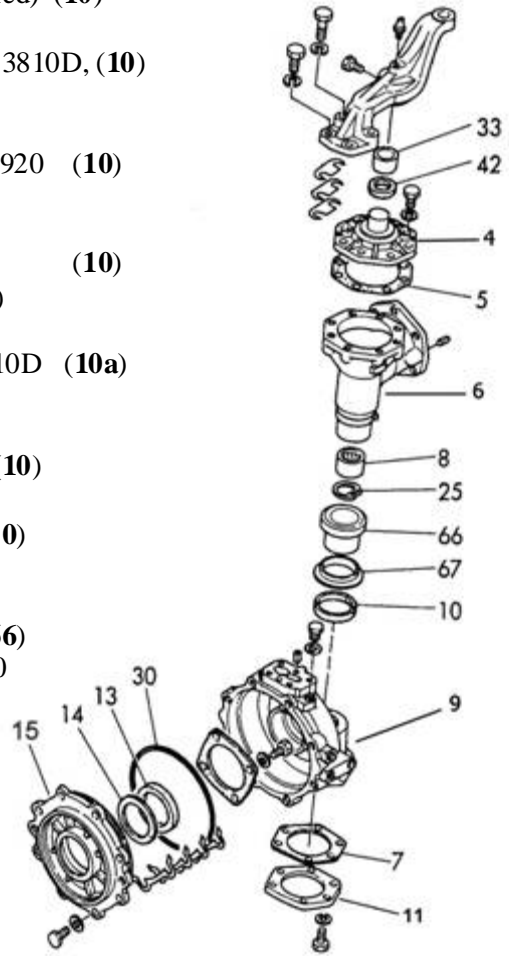
<b>SC-1372</b>	Spindle cover 330D, 336D, 2610D, (4) 3110D, 3810D Repl. 194321-13720
<b>CG-4321</b>	Spindle cover gskt 330D, 336D, 2610D, (5) 3110D, 3810D, 4300D Repl. 194321-13730
<b>SH-1370</b>	Spindle hsg 330D, 336D, 2610D, 3110D, 3810D Repl. 194321-13700 (6)
<b>CG-1376</b>	Lower spindle cvr gskt 330D, 336D, 2610D, (7) 3110D, 3810D, 4300D Repl 194321-13760
<b>NB-3110</b>	Needle brg 330D, 336D, 2610D, (8) 3110D, 3810D, 4300D Repl. 194321-13860
<b>FGC-4274</b>	Lower gear case 330D, 336D, 2610D, 3110D, (9) 3810D, 4300D Repl. 794274-13711 & 194321-13740
<b>GHC-4321</b>	Cover, final gear housing 330D, 336D, 2610D, (11) 3110D, 3810D, 4300D Repl. 194321-13750
<b>65x88x12TC</b>	Seal 330D, 336D, 2610D, 3110D, (13) 3810D, 4300D Repl. 24423-658812
<b>65x88x05TC</b>	Seal 330D, 336D, 2610D, 3110D, (14) 3810D, 4300D Repl. 24430-658805
<b>SAH-4321</b>	Stub axle housing 330D, 336D, 2610D, (15) 3110D, 3810D, 4300D Repl. 194321-13950
<b>SR-450</b>	Snap ring 330D, 336D, 2610D, (25) 3110D, 3810D Repl. 22262-000450
<b>OR-2000</b>	Oring 330D, 336D, 2610D, 3110D, 3810D, (30) 4300D Repl. 24321-002000
<b>OR-190</b>	Oring 2610D Repl. 24321-001900 (30)
<b>SB-4321</b>	Bushing 330D, 336D, 3110D, 3810D, 4300D, (33) 4500D Repl. 194321-11921
<b>35x41x5VB</b>	Seal 187D, 330D, 336D, 2610D, 3110D, 4300D (42) Repl. 194321-11940
<b>AC-4274</b>	Collar 330D, 336D, 3110D, 4300D Repl. 194274-13910 (67)



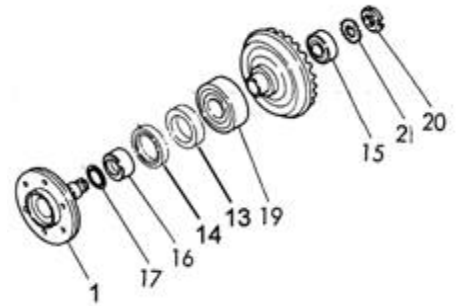
Continued on next page

Continued from previous page

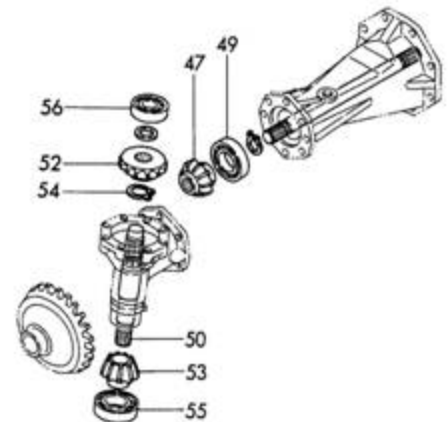
- 58x75x7TC** Seal 3110D (for knuckle that has been turned) **(10)**
- 64x80x13TC** Seal 336D w/HD fit. axle, 2610D, 3110D, 3810D, **(10)**  
4300D Repl 194274-13920
- AS-4465** Seal 330D, 336D, 3110D Repl. 194465-13920 **(10)**  
60mm ID x 75mm OD x 13mm Thick
- 60x75x9TC** Seal 330D, 336D, 2610D, 3110D, 3810D **(10)**  
Repl. 24421-607509 (old # 194321-13920)
- 60x75x6VC** Dust seal 330D, 336D, 2610D, 3110D, 3810D **(10a)**  
Repl. 194321-13930
- 60x80x12TC** Seal 2610D, 3110D Repl. 194136-32800 **(10)**
- AS-3110** Seal, front knuckle 2610D, 3110D **(10)**  
64mm ID x 75mm OD
- AS-4279** Sleeve 330D, 336D, 3110D, 4300D **(66)**  
60mm ID x 64mm OD Repl.194279-13900



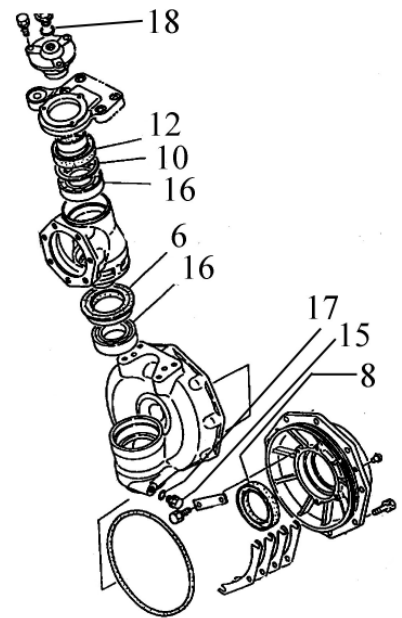
- SA-1411** Stub axle 330D, 336D, 2610D, 3110D, (1)  
3810D Repl. 194321-14110
- 65x88x12TC** Seal 330D, 336D, 2610D, (13)  
3110D, 3810D Repl. 24423-658812
- 65x88x05TC** Seal 330D, 336D, 2610D, (14)  
3110D, 3810D Repl. 24430-658805
- NJ-207** Bearing, stub axle 330D, 336D, 2610D, 3110D, (15)  
3810D Repl. 24148-002074 (old # 194321-14140)
- SC-4321** Seal collar, wheel axle 330D, 336D, 2610D, 3110D, (16)  
3810D Repl. 194321-14170
- OR-450** Oring 330D, 336D, 2610D, 3110D, 3810D Repl. 24321-000450 (17)
- 6211-2RS** Bearing 330D, 336D, 2610D, 3110D, 3810D Repl. 24101-062114 (19)
- LN-35** Lock nut, front stub axle 330D, 336D, 2000D, 2610D, 3110D, 3810D (20)  
Repl. 24217-035002 (old # 24211-035002)
- LW-35** Lock washer 330D, 336D, 2610D, 3110D, 3810D (21)  
Repl. 24231-035000



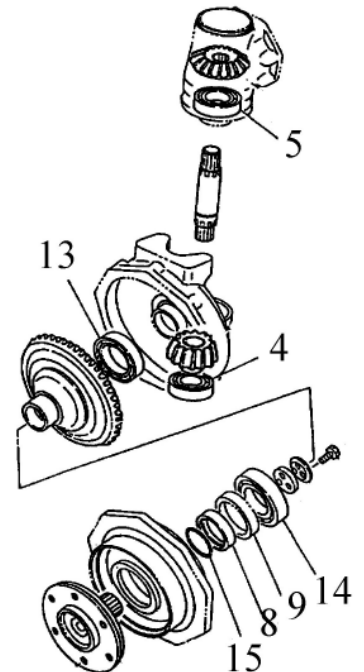
- 
- SG-3110** Axle gear 330D, 336D, 2610D, 3110D, (47)  
3810D Repl. 194321-13521
- 6209-2RS** Bearing for SG-3110 gear (49)  
Repl. 24101-062094
- SA-4321** Spindle 330D, 336D, 2610D, 3110D, (50)  
3810D Repl. 194321-13850
- SG-4321** Upper spindle gear 330D, 336D, 2610D, (52)  
3110D, 3810D Repl. 194321-13881
- SG-1389** Lower spindle gear 330D, 336D, 2610D, (53)  
3110D, 3810D Repl. 194321-13891
- SR-34** Snap ring, Front axle spindle 330D, 336D, (54)  
2610D, 3110D, 3810D Repl. 22242-000340
- 6209-2RS** Bearing 330D, 336D, 2610D, 3110D, 3810D (55)  
Repl. 24101-062094
- 6306-2RS** Bearing 330D, 336D, 2610D, 3110D, 3810D (56)  
Repl. 24104-063064



- AS-1376** Seal 2620D, 2820D, 3220D, 4220D (6)  
Repl. 194328-13760
- AS-1378** Seal, stub axle 2620D, 2820D, 3220D, (8)  
4220D Repl. 194328-13780
- AS-4328** Seal, front knuckle 2620D, 2820D, (12)  
3220D, 4220D Repl. 194328-13870
- DP-114** Drain plug Repl. 23491-140002 (15)
- OR-160** Oring, drain plug Repl. 24311-000160 (17)
- OR-220** Oring Repl. 24311-000220 (18)

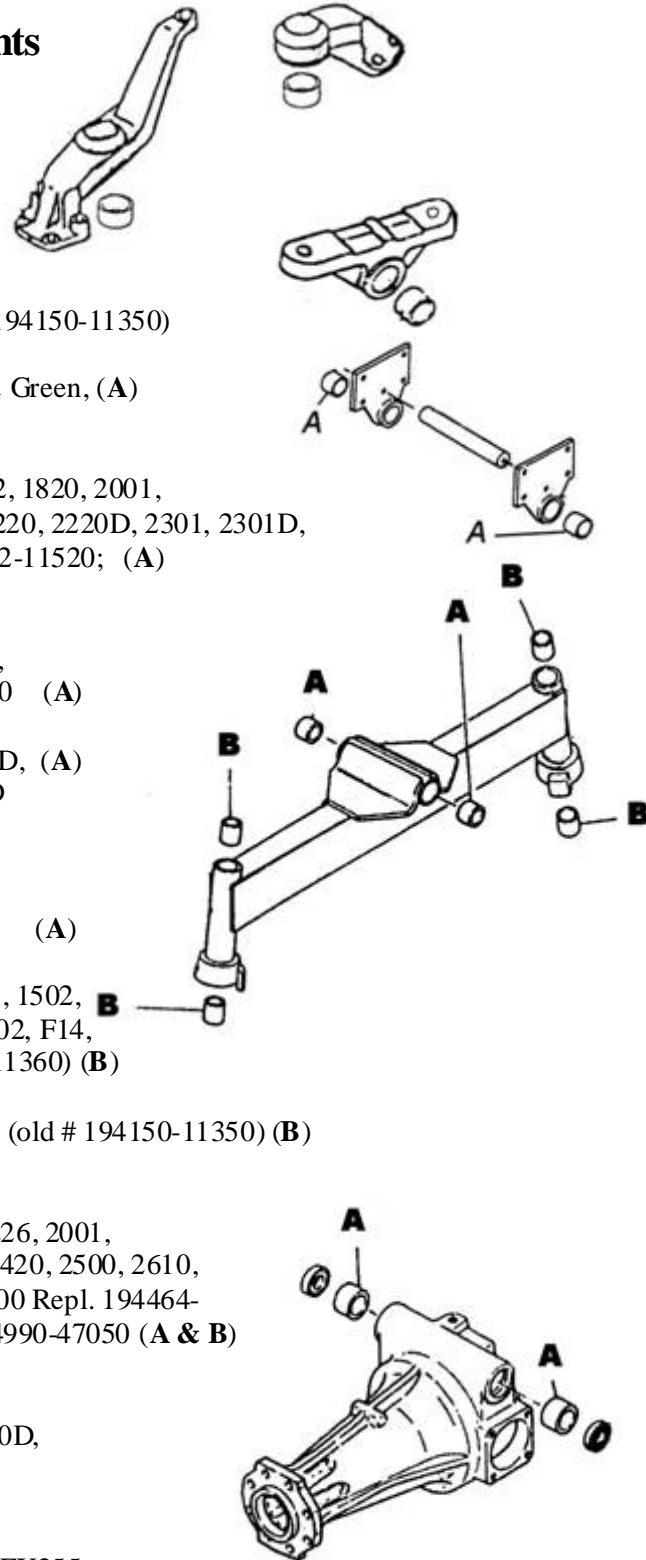


- 6208-2RS** Bearing, lower spindle 2620D, 2820D, (4)  
3220D, 4220D Repl. 24101-062084
- 6209-2RS** Bearing, upper spindle 2620D, 2820D, (5)  
3220D, 4220D Repl. 24101-062094
- AC-4328** Seal sleeve 2620D, 2820D, 3220D, (8)  
4220D Repl. 194328-14131
- OR-600** Oring for AC-4328 seal sleeve (15)  
Repl. 24321-000600

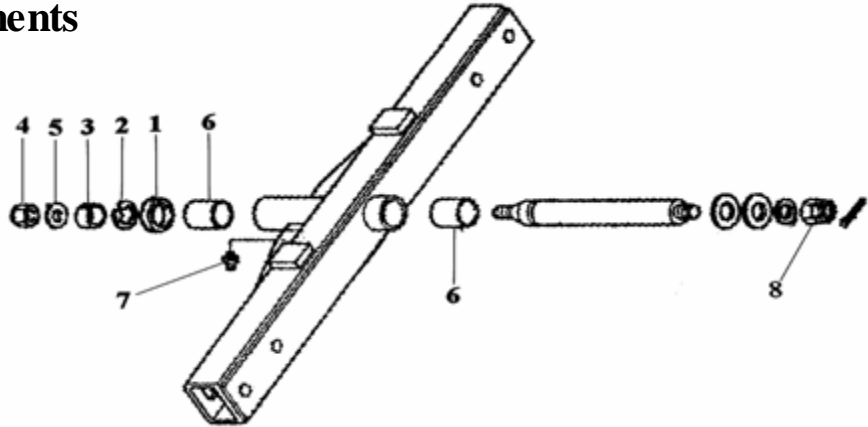


## Front axle components

- SB-4321** Steering arm and cap bushing 330D, 336D, 3110D, 3810D Repl. 194321-11921
- SB-4306** Bushing, axle pivot 195, 240, 1600, (A) 1700, 1900, 2000 Repl. 194306-13830 (old # 194150-11350)
- APB-4191** Axle pivot bushing 195D, 1300, 1500D Red & Green, (A) 1610D Repl. 194191-22120
- APB-4312** Axle pivot bushing, 220, 226, 226D, 276, 1802, 1820, 2001, 2001D, 2010D, 2002, 2202, 2202D, 2210D, 2220, 2220D, 2301, 2301D, 2310, 2402, 2402D, 2420, 2420D Repl. 194312-11520; (A) **240D, 2210BD** Repl. 194311-13420
- APB-4515** Axle pivot bushing F17, F17D, FX17, FX17D, F18, F18D, FX18, FX18D Repl. 194515-13220 (A)
- APB-4321** Axle pivot bushing 330D, 336D, 2610D, 2620D, (A) 2820D, 3110D, 3220D, 3810D, 4220D, 4300D Repl. 194376-11620 (old # 194321-11620)
- SB-4321** Axle pivot bushing F20, FX20, F22, FX22, F24, FX24, F255, FX255 Repl. 194321-11921 (A)
- SB-4440** Spindle bushing 165, 195, 186, 187, 240, 1401, 1502, 1510, 1601, 1602, 1700, 1802, 1820, 2000, 2002, F14, F15, F16 Repl. 194440-11360 (old # 194151-11360) (B)
- SB-4306** Spindle bush. 1600, 1900 Repl. 194306-13830 (old # 194150-11350) (B)
- SB-4464** Spindle bushing F20, FX20, F22, FX22, (B) F24, FX24, FX26, FX28, F255, FX255, 330, 226, 2001, 2202, 2210, 2210B, 2220, 2301, 2310, 2402, 2420, 2500, 2610, 2620, 2820, 3000, 3110, 3220, 3810, 4220, 4300 Repl. 194464-11340 & 194145-11840; **2200, 2700** Repl. 194990-47050 (A & B) **2210, 2210B** Repl. 194310-11560 (A)
- 30x42x7TC** Seal, axle pivot 226D, YMG1800D, YMG2000D, 2010D, 2210BD, 2210D, 2220D, 2420D Repl. 194311-13430
- 35x41x5VB** Seal, axle pivot F20, FX20, F22, FX22, F255, FX255 Repl. 194321-11940



## Front axle components



**SW-4145** Seal washer 330, 336, 2500, 2610, 2620, 2820, 3000, 3110, (1)  
3220, 3810, 4220, 4300 Repl. 194145-11550

**35x41x5VB** Seal FX26, FX28, FX32, FX42 (1)  
Repl. 194321-11940

**SR-32** Snap ring 330, 336, 2500, 2610, 2620, 2820, 3000, 3110, (2)  
3220, 3810, 4220, 4300, FX26, FX28, FX32, FX42  
Repl. 194145-11521

**SB-1157** Spacer 330, 336, 2500, 2610, 2620, 2820, 3000, 3110, (3)  
3220, 3810, 4220, 4300, FX26, FX28, FX32, FX42  
Repl. 194145-11570

Nut, M20 Repl. 26346-200002 (4)

Washer, 20 mm Repl. (5)

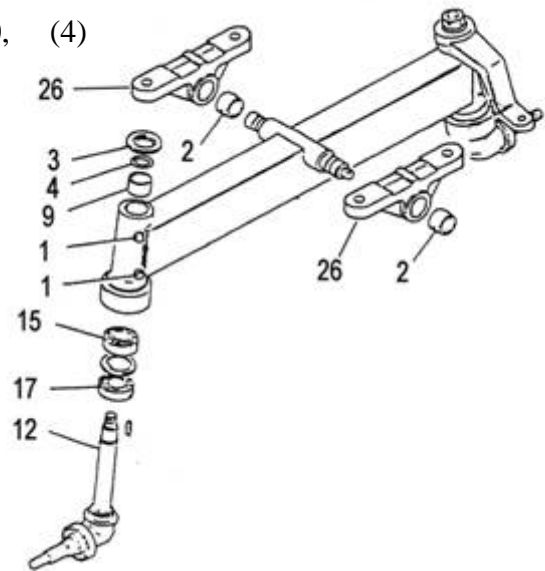
**APB-4145** Bushing 330, 336, 2500, 2610, 2620, 2820, 3000, 3110, (6)  
3220, 3810, 4220, 4300, FX26, FX28, FX32, FX42  
Repl. 194145-11580 & 194464-11220

**GF-6** Grease fitting (7)

Nut, M24 Repl. 194130-11580 (8)

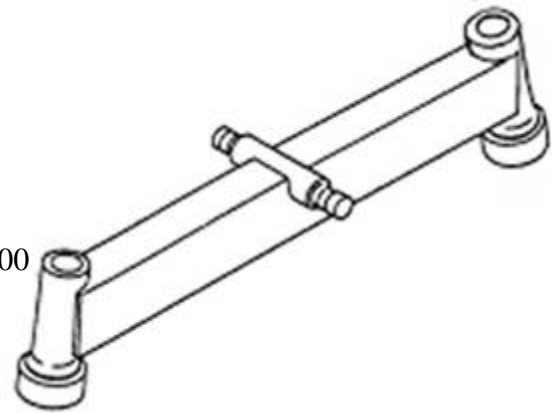
## Front axle components

<b>GF-6</b>	Grease fitting Repl. 194151-11480	(1)
<b>CPS-4151</b>	Center pin support 195, 240, 1700, 2000 Repl. 194151-11500 (our part includes bushing & grease fitting)	(26)
<b>SW-4151</b>	Spindle cover washer 240, 1500, 1510, 1601, 1610, 1700, YMG1800, 1802, 2000, YMG2000, 2002, F18 Repl. 194151-11840	(3)
<b>OR-212</b>	Spindle cover oring 240, 1500, 1510, 1610, 1700, YMG1800, 1802, 2000, YMG2000, 2002, F18 Repl. 194151-11860	(4)
<b>FAH-4190</b>	Front axle housing 1500 Repl. 194190-11200	(8)
<b>FAH-4151</b>	Front axle housing 1700, 2000 Repl. 194151-11201	(8)
<b>SB-4440</b>	Spindle bushing 1700, 2000 Repl. 194440-11360 (old # 194151-11360)	(9)
<b>SB-4464</b>	Spindle bushing 2500, 3000, 3810 Repl. 194145-11840	(9)
<b>SA-4151</b>	Spindle 180, 1500, 1700 Red, 2000 Red Repl. 194151-11600 & 194880-11800X	(12)
<b>SA-4145</b>	Spindle 2500, 3000, 3110, 3810 Repl. 194145-11801	(12)
<b>6205-2RS</b>	Spindle bearing 1500, 1700, 2000 Repl. 24101-062054	(15)
<b>35x52x11TC</b>	Seal 1500, 1700, 2000 Repl. 194150-12720	(17)
<b>35x48x10TC</b>	Seal 1510, 1602, 1610, 1802, YMG2000, 2002, F16, F18 Repl. 194440-11870	(17)
<b>SB-4306</b>	Support bushing 195, 240, 1700, 2000 Repl. 194150-11350	(2)
<b>APB-4191</b>	Front axle pivot bushing 1500 Repl. 194190-11520	(2)



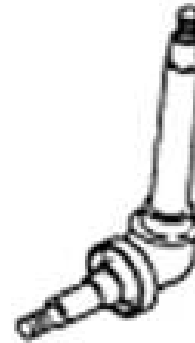
**FAH-4190** Front axle housing 1500 Repl. 194190-11200

**FAH-4151** Front axle housing 1700, 2000  
Repl. 194151-11201



**SA-4151** Spindle w/ LN-20 hub nut 180, 1500, 1700, 2000  
Repl. 194151-11600 & 194880-11800X

**SA-4145** Spindle 2500, 3000, 3810 Repl. 194145-11801



**SA-1211** Steering arm, LH 330, 336, 3000, 3110, 3810  
Repl. 194145-12111



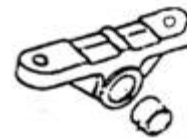
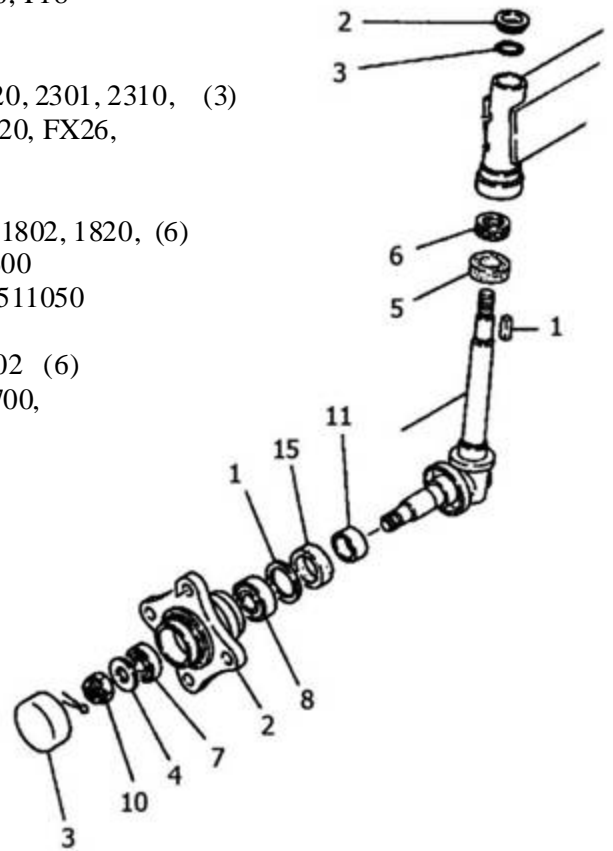
**TR-1813 (4)** Drag rod end 226, 2500, 3000,  
3810 Repl. 794730-57122-X

**TR-1813 (6)** Drag rod end 4300  
Repl. 794730-57122-X

**TR-1812 (6)** Drag rod end 2500, 3000  
Repl. 794730-57132

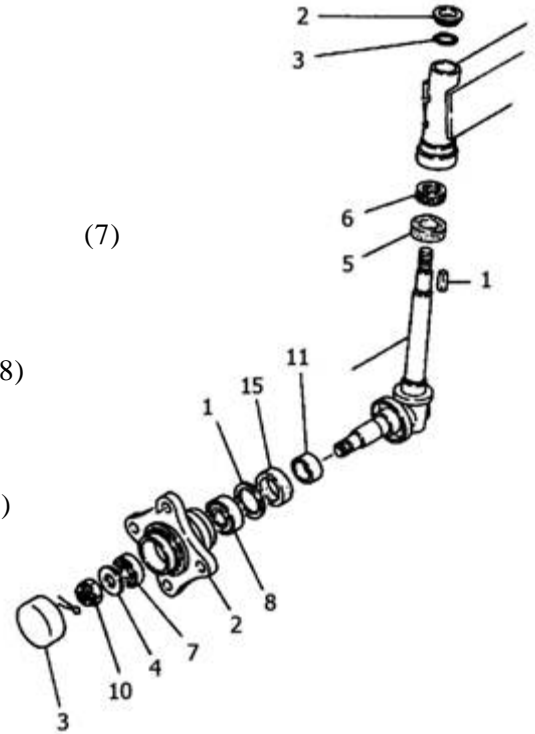


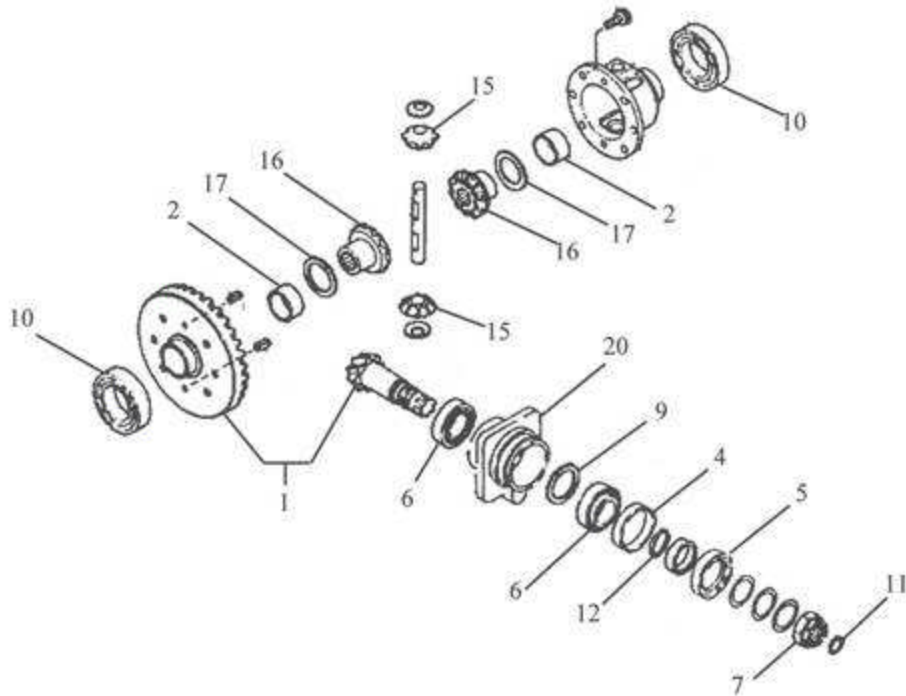
- FH-4151** Frt. hub 140, 147, 186, 195, 240, 1500, 1502, 1510, 1602, (2)  
1610, 1700, 1702, 1720, YMG1800, 1802, 1810, 2000,  
YMG2000, 2002, F16, F18 Repl. 194151-12610
- FH-4200** Front hub F15, 135, 155, 1300, 1301, 1401 Repl. 194200-11801 (2)
- HC-4151** Hub cap 135, 140, 147, 155, 165, 186, 195, 240, 1110, 1300, (3)  
1401, 1500, 1502, 1510, 1602, 1700, YMG1800, 1802, 1820,  
2000, 2000B, YMG2000, 2002, F14, F15, F16, F18  
Repl. 194151-12620
- HC-4134** Hub cap, 4 bolt 2001, 2010, 2202, 2210B, 2220, 2301, 2310, (3)  
2402, 2420, 2500, 2610, 2620, 2820, F20, FX20, FX26,  
FX28, F255, FX255 Repl. 194134-12620
- 51105** Spindle bearing 187, 1510, 1602, YMG1800, 1802, 1820, (6)  
YMG2000, 2002, F16, F18 Repl. 194210-14300  
1610 Repl. 1A3810-22060; F18 Repl. 24520-511050
- 51106** Spindle brg. 226, 2001, 2010, 2210, 2200, 2202 (6)  
2220, 2301, 2310, 2402, 2420, 2500, 2620, 2700,  
2820, 3000, 3110, 3220, 3810, 4220, F20,  
FX20, FX26, FX28, F255, FX255  
Repl. 24520-51106 (old # 1A1030-12200)
- 6204-2RS** Outer wheel brg 165, 186, 195, 240, (7)  
1401, 1602, 1700, YMG1800, 1820, 2000,  
YMG2000, F16, F18 Repl. 24101-062044
- 38x52x9TC** Spindle seal 226, 2500, 2620, 2820, (5)  
3000, 3110, FX26, FX28, F255, FX255  
Repl. 194145-11860
- 35x52x11TC** Spindle seal 135, 155, 165, 195, 240, (5)  
1110, 1401, 1600,  
1700, 1900, 2000, F16, F18 Repl. 24421-355211
- 40x62x19TC** Spindle seal 226, 2210B (5)  
Repl. 194130-12720
- 35x48x6TC** Spindle seal F18, 1610 Repl. 194440-11870 (5)
- CPS-4151** Center pin support w/ bushing 1600,  
1700, 1900, 2000 Repl. 194151-11500



**Continued on next page**

- 6205-2RS** Spindle bearing 135, 155, 1110, 1401, (6)  
1600, 1900 Repl. 24101-062054
- 30205** Outer wheel brg 226, 2210, 2500, 2620, 2820 (7)  
3000, 3110, 3220, 4220, 4300, FX26, FX28  
Repl. 24142-302050 (old # 194145-11910)
- 6205-2RS** Inner wheel brg 165, 186, 195, 240, 1110, (8)  
1401, 1602, 1700, YMG1800, 1820, 2000,  
YMG2000, F16, F18 Repl. 24101-062054
- 32007** Inner wheel brg 226, 2210, 2210B, 2500, 2620, (8)  
2820, 3000, 3110, 3220, 4220, 4300, FX26, FX28  
Repl 24141-320070
- LN-211** Spindle nut 1600, 1700 Green, 1900, (10)  
2000 Green Repl. 24211-020002
- LW-20** Spindle LW 1600, 1700 Green, 1900, (4)  
2000 Green Repl. 24237-020000 (old # 24231-020000)
- LN-20** Spindle nut 195, 240, 1110, 1300, 1401, 1500, (10)  
1700 Red, 2000 Red  
Repl. 26837-200002 (old # 26831-200002)
- SW-4151** Spindle cover washer 240, 1500, 1510, 1601, 1610, (12)  
1700, YMG1800, 1802, 2000, YMG2000, 2002, F18  
Repl. 194151-11840
- OR-212** Spindle cover oring 240, 1500, 1510, 1610, 1700, (13)  
YMG1800, 1802, 2000, YMG2000, 2002, F18  
Repl. 194151-11860
- 35x52x11TC** Front spindle seal 1500, 1700, 2000 Repl. 194150-12720 (15)
- 40x62x19TC** Front spindle seal 2200, 2500, 3000 (15)  
Repl. 194130-12720
- AS-4314** Front spindle seal F20, FX26, FX28, 2001, (15)  
2220, 2301, 2420, 2620, 2820  
Repl. 194314-12720





**RGP-4311** Front ring gear & pinion 220D, 240D, 250D, 276D, (1)  
 YMG1800D, 1802D, 2000D, YMG2000D, 2010D, 2020D,  
 2202D, 2210D, 2220D, 2301D, 2310D, 2402D  
 Repl. 194311-13101

**RGB-4190** Ring gear bushing 1702D, 1720D, YMG1800D, (2)  
 YMG2000D, 2202D, 2310D, 2402D Repl. 194190-31490

**SC-3662** Spacer collar 1500D, 1610D, 1702D, 1720D, (4)  
 YMG1800D, YMG2000D, 2010D, 2202D,  
 2210BD, 2210D, 2310D, 2402D Repl. 194191-13662

**40x55x8TC** Seal, front pinion 226D, 1500D, 1610D, 1700D, 1702D, 1720D, (5)  
 YMG1800D, 2000D, YMG2000D, 2001D, 2202D, 2210BD, 2210D,  
 2301D, 2310D, 2402D Repl. 24421-405508 (old # 194191-13681)

**45x62x9TC** Seal, front pinion 2610D, 3110D, F37D, F46D (5)  
 Repl. 24423-456209 (old # 194321-13490)

**32006** Pinion bearing 226D, 1702D, 1720D, YMG1800D, (6)  
 YMG2000D, 2210BD, 2202D, 2310D, 2402D  
 Repl. 24141-320060 (old # 194191-13530)

**LN-28** Pinion nut 226D, 1500D **RED**, 1610D, 1702D, (7)  
 1720D, YMG1800D, 2001D, 2202D, 2210BD, 2210D, 2301D,  
 2310D, 2402D Repl. 194191-13540

**CONTINUED ON NEXT PAGE**

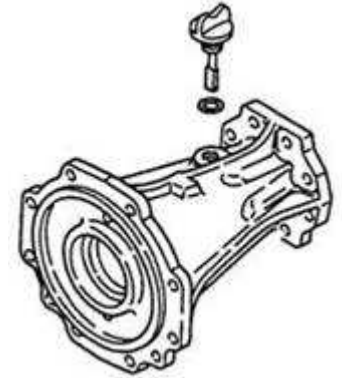
- SC-4191** Pinion seal collar 226D, 1500D, 1702D, 1720D, (8)  
YMG1800D, 2010D, 2202D, 2402D  
Repl. 194191-13671
- OR-630** Pinion hsg o'ring 1702D, 1720D YMG1800D, (9)  
YMG2000D, 2202D, 2210D, 2402D  
Repl. 24341-000630 (old # 194200-43140)
- 6009-2RS** Ring gear bearing 1702D, 1720D, YMG1800D (10)  
YMG2000D, 2202D, 2402D Repl. 24101-060094
- OR-210** O'ring 1500D red, 1610D, 1702D, 1720D, (11)  
YMG1800D Repl. 24311-000210
- OR-250** Pinion shaft o'ring 1500D red, 1610D, (12)  
1702D, 1720D, YMG1800D, 2202D, 2310D,  
2402D Repl. 24341-000250
- PG-4420** Pinion gear (10 teeth) 1610D, 1702D, 1720D, (15)  
F22D, FX22D, F24D, FX24D Repl. 194420-31800
- PG-3151** Pinion gear (16 teeth) 1610D, 1702D, 1720D (16)  
Repl. 194420-31510
- SW-4740** Spacer washer, spider gear 1700D, YMG1800D, (17)  
2202D, 2310D, 2402D Repl. 194740-10880
- PH-4311** Pinion housing 226D, 240D, 250D, YMG1800D, 1802D, 1810D, (20)  
1820D, 2000D, YMG2000D, 2001D, 2002D, 2010D, 2020D, 2202D,  
2210D, 2220D, 2301D, 2310D, 2402D, 2420D Repl. 194311-13450
- PH-4158** Pinion housing 195D, 1601D, 1610D, 1700D, 1702D, 1720D (20)  
Repl. 194158-13450



- SG-1352** Gear, front axle 195D, 220D, 226D, 240D, 250D, 276D, (9)  
 1601D, 1610D, 1700D, 1702D, 1720D, YMG1800D, 1802D,  
 1810D, 1820D, 2000D, YMG2000D, 2001D, 2002D, 2010D,  
 2020D, 2202D, 2210BD, 2210D, 2220D, 2301D,  
 2310D, 2402D, 2420D Repl. 194311-13520
- SR-680** Snap ring 1802D, 1820D, 2002D Repl. 22252-000680 (2)
- SR-720** Snap ring 226D, 240D, 276D, 1601D, 1610D, 1702D, 1720D, (2)  
 YMG1800D, 1810D, YMG2000D, 2001D, 2010D, 2020D,  
 2202D, 2210D, 2220D, 2402D, 2301D, 2310D, 2420D Repl. 22252-000720
- SR-24** Snap ring, front axle 195D, 240D, 1601D, 1610D, 1702D, 1720D,  
 YMG1800D, 1802D, 2000D, YMG2000D, 2002D, 2010D, 2020D,  
 2202D, 2402D Repl. 22242-000240 (2 required)
- SR-25** Snap ring, front axle 1500D, 2210D, 2301D, 2310D (5)  
 Repl. 22242-000250 (2 required)
- SG-1314** Gear, front axle 1500D RED Repl. 194191-13140 (9)
- SG-1356** Gear, front axle 1500D Green Repl. 194191-13561 (9)
- 6305-2RS** Bearing 1500D Repl. 24101-63054 (6)
- SG-3110** Gear, front axle 330D, 336D, 2610D, 3110D, (9)  
 3810D Repl. 194321-13521
- 6209-2RS** Bearing 330D, 336D, 2610D, 3110D, (6)  
 3810D Repl. 24101-062094
- SG-1423** Gear, front axle side 135D, 155D, 1100D, 1300D, (9)  
 1301D 60d x 30.5L Repl 194210-14230
- SG-1943** Gear, front axle side 135D, 155D, 165D, 1401D (9)  
 64d x 33L Repl. 194341-14230
- 6207-2RS** Bearing 226D, 276D, 1601D, 1610D, 1702D, 1720D, (6)  
 YMG1800D, 1802D, 1820D, 2000D, YMG2000D, 2001D,  
 2002D, 2010D, 2020D, 2202D, 2220D, 2301D, 2402D,  
 2420D Repl. 24101-062074
- FAC-1300** Front axle seal case 155D, 165D, 1100D, 1300D,  
 1301D, 1401D Repl. 194210-13930



**DS-4313** Front axle dipstick F24D, FX24D, FX235D, 226D, YMG1800D, YMG2000D, 2001D, 2202D, 2220D, , 2301D, 2310D, 2402D, 2420D, 2620D, 2820D, 3110D  
Repl 194313-13630 (old # 194321-13630)



**OR-220** O'ring for DS-4313 dipstick  
Repl. 24311-000220

**SR-720** Snap ring F22D, FX22D, F24D, FX24D Repl. 22252-000720 (1)

**6009-2RS** Top spindle brg F22D, FX22D, F24D, FX24D, (4)  
F255D, FX255D Repl. 24104-060094

**6008-2RS** Lower spindle brg F22D, FX22D, F24D, FX24D, (15)  
F255D, FX255D Repl. 24101-060084

**6305-2RS** Lower spindle brg F20D, FX20D, F22D, FX22D, (5)  
F24D, FX24D, F255D, FX255D Repl. 24101-063054

**SR-900** Snap ring F20D, FX20D, F22D, FX22D, F24D, FX24D, (13)  
F215D, FX215D, F255D, FX255D Repl. 22252-000900

**AS-4556** Spindle hsg seal F20D, FX20D, F22D, FX22D, (8)  
F24D, FX24D, F215D, FX215D,  
F255D, FX255D Repl.194556-14211

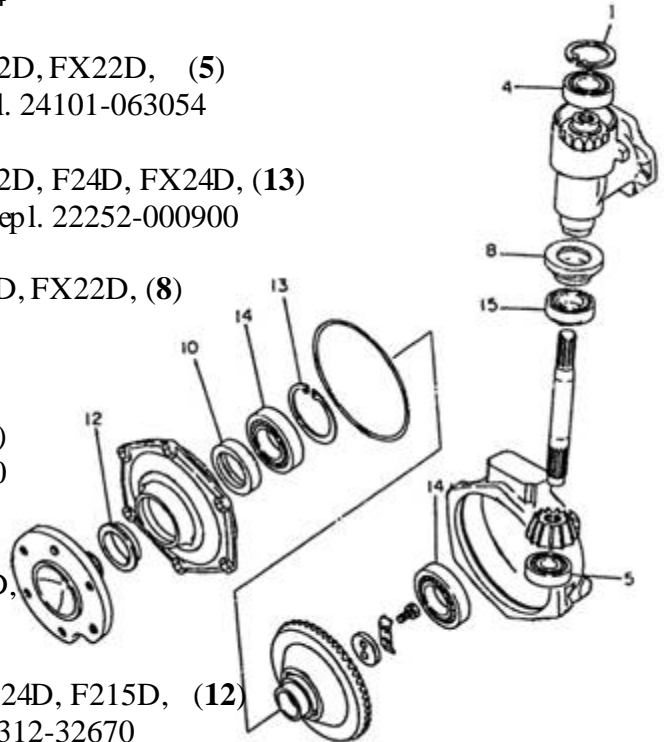
**60x82x12TC** Axle seal F20D, F22D, FX22D, (10)  
F215D, FX215D Repl. 194312-32660

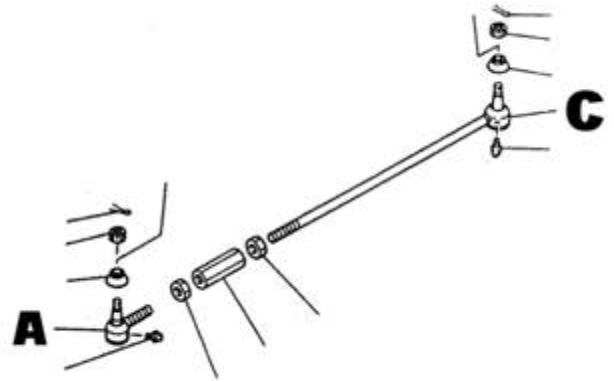
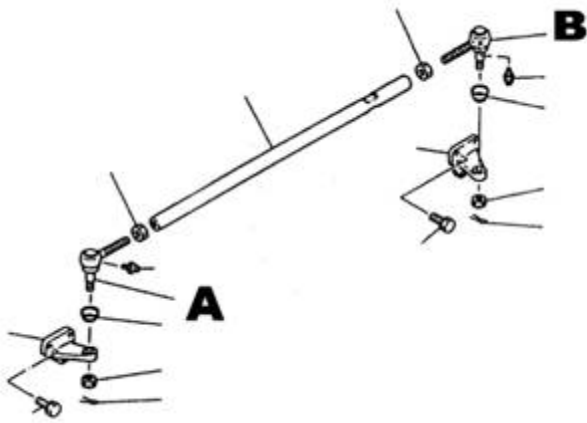
**6210-2RS** Axle bearing F20D, FX20D, (14)  
F22D, FX22D, F24D, FX24D, F255D,  
FX255D Repl. 24101-062104

**AC-4312** Axle collar F22D, FX22D, F24D, FX24D, F215D, (12)  
FX215D, F255D, FX255D Repl. 194312-32670

**62x80x12TC** Axle seal F20D, FX20D, F22D, FX22D, F24D, (10)  
FX24D, F215D, FX215D, F255D, FX255D Repl. 194312-32660

**AC-4447** Axle collar 226, F18D, F20D, FX20D (12)  
Repl. 194447-14180





**DC-4730**

Dust cover, ball joint, common to most models  
Repl. 194730-57220

**TR-1812**

Tie rod end LH thread for right side 195D, 226, 226D, 240D, (B)  
276, 276D, 330D, 336, 336D, 1610D, 1700D, YMG1800D, 1802D,  
1810D, 1820D, 2000D, YMG2000D, 2001D, 2002D, 2010D,  
2200, 2202D, 2210BD, 2210D, 2220D, 2301D, 2310D, 2402D, 2420D,  
2500, 2610, 2610D, 2700, 3000, 3110, 3110D, 3810, 3810D, 4300D,  
F17D, FX17D, F18D, FX18D, F20, F20D, FX20, FX20D,  
F24, F24D, FX24, FX24D Repl. 198291-18120 (Old # 794730-57132-X)

**TR-1813**

Tie rod end RH thread for left side 135, 135D, 155, 155D, (A)  
165, 195D, 226, 226D, 240D, 276, 276D, 330D, 336, 336D, 1300,  
1300D, 1401, 1602, 1610D, 1700D, YMG1800D, 1802D, 1810D, 1820D,  
2000D, YMG2000D, 2001D, 2002D, 2010D, 2200, 2202D, 2210BD,  
2210D, 2220D, 2301D, 2310D, 2402D, 2420D, 2500, 2610, 2610D,  
2700, 3000, 3110, 3110D, 3810, 3810D, 4300D, F17D, FX17D,  
F18D, FX18D, F24, F24D, FX24, FX24D  
Repl. 198291-18130 (Old # 794730-57122-X)

**TR-4150**

Tie rod end, RH (long) 186, 186D, 187D, 195, 240, 1500, (C)  
1600, 1610, 1700, 1900, 2000, F17, FX17, F18, FX18  
Repl. 194150-12300 (Old # 794150-12301)

**TR-8290**

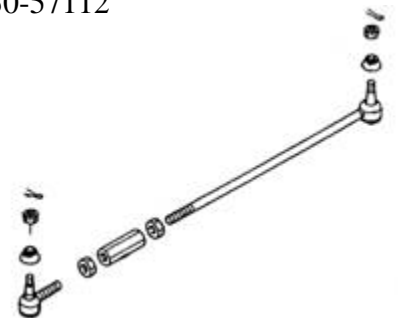
Tie rod end, LH (short) 1700, 1820, 2000, 2010 (A)  
Repl. 198290-18140;  
**186, 186D, 187D, 195, 240, 1500, 1500D, 1510, 1510D, 1600, 1610,**  
**1802, 1810, 1820, 1900, 2001, 2002, 2202, 2210, 2220, 2301,**  
**2310, 2402, 2420, F17, FX17, F18, FX18** Repl. 794730-57112

**TR-1500**

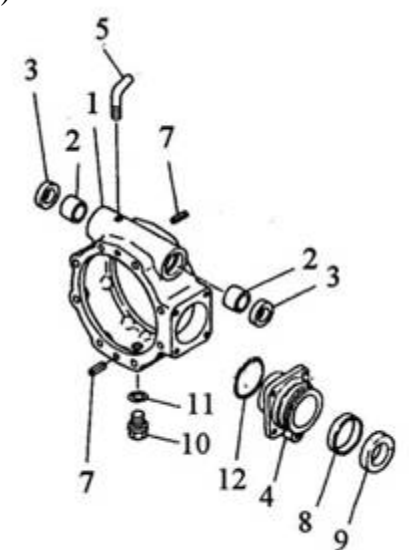
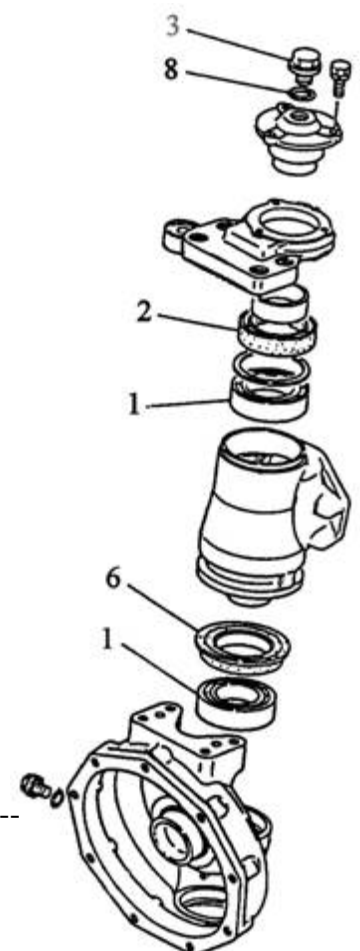
Complete tie rod assembly 1500D Red or Green

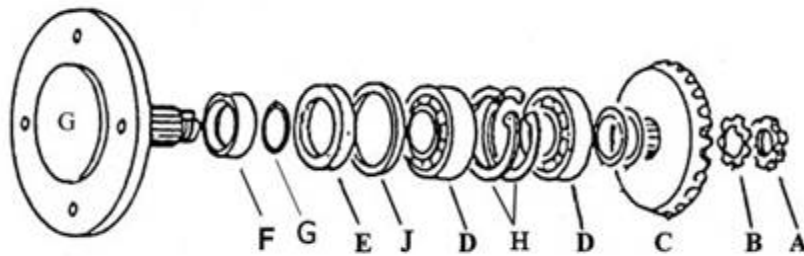
**TR-2000**

Complete tie rod assembly 1700, 1802, 2000,  
2002



- AS-1376** Front knuckle seal 2620D, 2820D, 3220D, 4220D (6)  
Repl. 194328-13760
  - AS-4328** Seal, front knuckle 2620D, 2820D, 3220D, 4220D (2)  
Repl. 194171-13870 & 194328-13870
  - 50x68x12.5** Seal, front spindle F18D, FX18D Repl. 194516-13780 (2)
  - 6011-2RS** Bearing, ball, sealed, spindle 2620D, 2820D, (1)  
3220D, 4220D Repl. 24101-060114
  - 6206-2RS** Bearing, ball, sealed, spindle F18D (1)  
Repl. 24104-062064
  - OR-220** O'ring Repl. 24311-000220 (8)
- 
- CH-4158** Center axle housing 195D, 1601D, 1610D, 1700D, (1)  
1702D, 1720D Repl. 194158-13401
  - APB-4191** Axle pivot bushing 195D, 1601D, 1610D, 1700D, (2)  
1702D, 1720D Repl. 194190-11520
  - CB-4150** Axle pivot bushing 135D, 155D, 165D, (2)  
1100D, 1300D, 1301D, 1401D Repl. 194210-13520
  - 22x32x7SC** Axle pivot seal 195D, 1500D, 1601D, 1610D, (3)  
1700D, 1702D, 1720D Repl. 194191-13420
  - RP-820** Roll pin Repl. 22351-080020 (7)
  - RP-520** Roll pin Repl. 22351-050020 (7a)
  - SC-3662** Spacer 195D, 1610D, 1702D, 1720D, 2010D, (8)  
2210D, 2310D Repl. 194191-13662
  - 40x55x8TC** Seal 195D, 1601D, 1610D, 1700D, 1702D, 1720D (9)  
Repl. 194191-13681
  - DP-114** Drain plug Repl. 194151-24770 (10)
  - OR-160** Oring for DP-114 Repl. 24311-000160 (11)
  - OR-630** O'ring for pinion housing 195D, 1601D, 1610D, 1700D, (12)  
1702D, 1720D, YMG1800D Repl. 24341-000630





- SA-4191** Wheel stub axle 1500D **RED** Repl. 194191-14580 (G)
- SA-1430** Wheel stub axle 1500D **GREEN** Repl. 194191-14302 (G)
- LN-1500** Lock nut, stub axle – 1500D Red or Green (A)  
Repl. 24211-025002
- LW-1500** Lock washer, stub axle 1500D **Red** Repl. 194191-14640; (B)  
1500D **Green** Repl. 24237-025000 (old # 24231-025000)
- SG-1457** Gear, stub axle side gear 1500D **RED** Repl. 194191-14570 (C)
- SG-1421** Gear, stub axle 1500D **GREEN** Repl. 194191-14211 (C)
- 30206** Bearing, stub axle –1500D Red or Green (D)  
Repl. 24141-302060
- 38x62x9TC** Seal, stub axle 1500D **GREEN** (E)  
Repl. 24421-386209 (old # 1941911-14261)
- 45x62x9TC** Seal, stub axle – 1500D **RED** Repl. 24423-456209 (E)
- SC-1466** Seal collar, stub axle 1500D **Red** Repl. 194191-14660 (F)
- OR-300** Oring Repl. 24321-000300 (G)
- SR-62** Snap ring 1500D Red or Green Repl. 22252-000620 (H)
- SR-4191** Spacer ring 1500D Red or Green Repl. 194191-14280 (J)

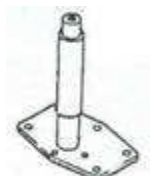
**SA-1500** Steering arm 1500D Red or Green  
Repl. 194191-14611



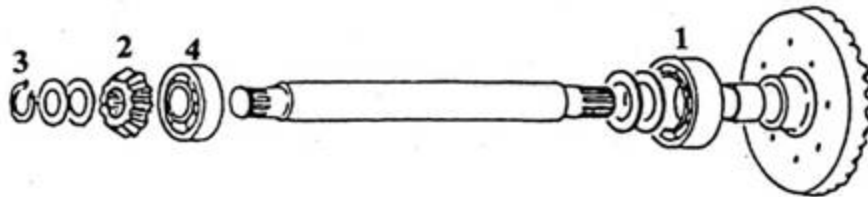
- S-701** Spindle, LH 1500D **Green** Repl. 194191-13701
- S-801** Spindle, RH 1500D **Green** Repl. 194191-13801
- S-137** Spindle, LH 1500D **Red** Repl. 194191-13170
- S-138** Spindle, RH 1500D **Red** Repl. 194191-13900



S-137  
S-701



S-138  
S-801



- 6009-2RS** Ball bearing, sealed 1500D (1)  
Repl. 24101-060094
- SG-1314** Gear, side 1500D Red Repl. 194191-13140 (2)
- SG-1356** Gear, side 1500D Green Repl. 194191-13561 (2)
- SR-25** Snap ring for SG-1314 & SG-1356 (3)  
Repl. 22242-000250
- 6305-2RS** Ball bearing Repl. 24101-063054 (4)
- FW-1393** Flat washer – LH – 1500D Red (5)  
Repl. 194191-13930, 1500D Green Repl. 194191-13750
- 20x30x7TC** Seal, top knuckle 1500D Red (6)  
Repl. 24421-203007 & 194191-14360
- 20x35x7TC** Seal, top knuckle 1500D Green (6)  
Repl. 24423-203507 (old # 194191-13760)
- 6204-2RS** Ball bearing, sealed Repl. 24101-062044 (7)
- TW-1437** Thrust washer, bottom knuckle – 1500D Red (8)  
Repl. 194191-14370
- PTO W-2854** Washer 1500D Green Repl. 194191-28540 (8)
- SG-1417** Gear, top knuckle – 1500D Red Repl. 194191-14170 (9)
- SG-1418** Gear, lower knuckle – 1500D **RED** (10)  
Repl. 194191-14180
- SG-1425** Gear, lower knuckle – 1500D **GREEN** (9/10)  
(**one-piece gear**) Repl. 194191-14111
- SR-50** Snap ring used with SG-1418 Repl. 22242-000500 (11)
- NB-4191** Needle bearing used with SG-1418 (12)  
Repl. 194191-14190
- NB-1412** Needle brg, spindle 1500D Green (12)  
Repl. 194191-14120
- SR-33** Snap ring used with SG-1418 (13)  
Repl. 24165-000332 (old # 194191-14560)
- 6013-2RS** Ball bearing 1500D Red or Green (14)  
Repl. 24101-060134
- SB-1455** Spacer 1500 Repl. 194191-14550 (15)

**115x140x15TC** Seal, front knuckle 1500D RED (2)  
Repl. 194191-13130

**105x135x14TC** Seal, front knuckle 1500D GREEN  
Repl. 194191-13632 (2)

**SA-1500** Steering arm 1500D Red or Green  
Repl. 194191-14611 (3)

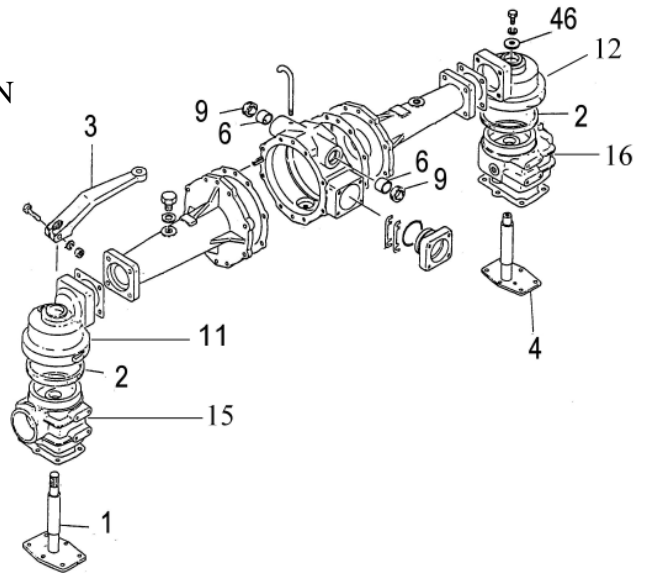
**S-701** Spindle, LH 1500D Green (1)  
Repl. 194191-13701

**S-801** Spindle, RH 1500D Green (4)  
Repl. 194191-13801

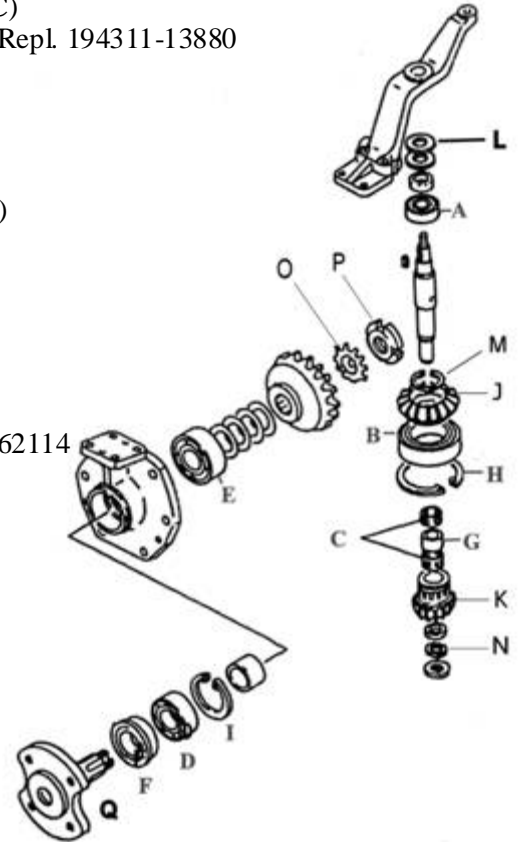
**S-137** Spindle, LH 1500D Red (1)  
Repl. 194191-13170

**S-138** Spindle, RH 1500D Red Repl. 194191-13900 (4)

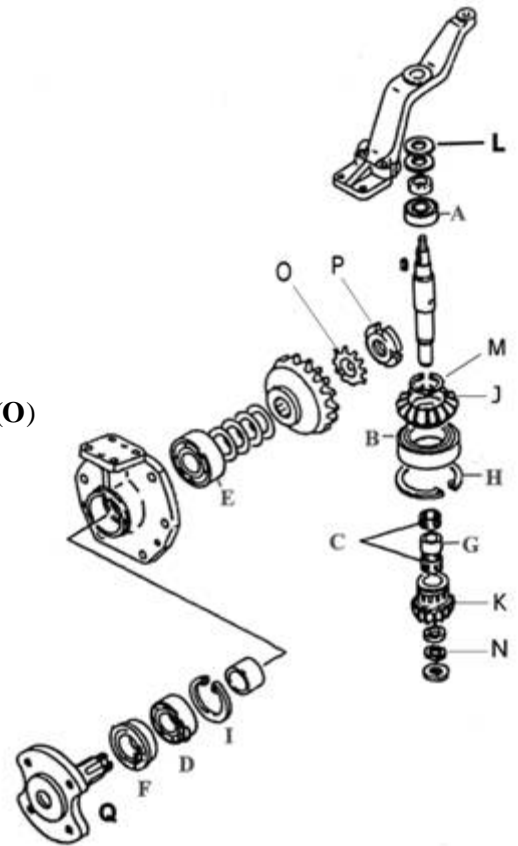
**FW-1385** Washer, spindle thrust, RH 1500D (46)  
Repl. 194191-13850



- 6205-2RS** Ball bearing, sealed, upper spindle, front axle (A)  
1610D, 2220D, 2310D, 2420D Repl. 24101-062054
- 6013-2RS** Ball bearing, sealed, lower spindle, front axle (B)  
1610D, 2001D, 2301D, 2310D – Repl. 24101-060134
- NB-4311** Needle bearing 220D, 250D, 1610D, 1820D, (C)  
2000D, 2020D, 2202D, 2210D, 2310D, 2402D Repl. 194311-13880
- 6007-2RS** Ball bearing, sealed, outer stub axle (D)  
1610D – Repl. 24101-060074
- 6008-2RS** Ball bearing, sealed, outer stub axle 2010D, (D)  
2210D, 2310D – Repl. 24101-060084
- 6307-2RS** Ball bearing, sealed, inner stub axle (E)  
1610D – Repl. 24101-063074
- 6211-2RS** Ball bearing, sealed, inner stub axle 2001D, (E)  
2010D, 2210D, 2301D, 2310D – Repl. 24101-062114
- AS-6831** Stub axle seal, 195D, 1601D, 1610D (F)  
1700D, 1702D, 1720D Repl. 194158-13790
- SC-4321** Stub axle seal collar w/o'ring 336D, (F)  
2610D, 3110D, 3810D Repl. 194321-14170
- 50x68x12.5** Stub axle seal 2010D, 2202D, 2402D (F)  
Repl. 194313-13790
- 50x68x14.3TCFY** Stub axle seal 240D, 2000D, 2210D (F)  
Repl. 194311-13790
- SC-4311** Stub axle seal collar 195D, 220D, 240D, 250D, (F)  
2000D, 2010D, 2210D, 2310D Repl. 194311-14172
- 65x88x05TC** Seal, front knuckle side 2610D, 3110D  
3810D, 4300D Repl. 24430-658805 (F)
- 65x88x12TC** Seal, front knuckle side 2610D, 3110D, (F)  
3810D, 4300D Repl. 24423-658812
- 6211-2RS** Ball bearing, sealed 3110D, 3810D, (D)  
4300D Repl. 24101-062114
- SB-4311** Spacer 2210D, 2310D Repl. 194311-13890 (G)
- SR-100** Snap ring 2202D, 2210D, 2310D, 2402D (H)  
Repl. 22252-001000



- SR-680** Snap ring 276D, 2210D, 2310D Repl. 22252-000680 (I)
- SG-1394** Upper spindle gear 195D, 240D, 250D, 276D, (J)  
1610D, 1810D, 2001D, 2010D, 2020D, 2202D, 2210D,  
2301D, 2310D, 2402D Repl. 194311-13940
- SG-4311** Lower spindle gear 220D, 240D, 250D, 276D, (K)  
1810D, 1820D, 2001D, 2010D, 2020D, 2202D, 2210D,  
2301D, 2310D, 2402D Repl. 194311-13950
- SW-1386** Washer, upper 1610D, 1700D, 1820D, 2000D, 2010D, (L)  
2020D, 2202D, 2210D, 2310D, 2402D  
Repl. 194311-13860
- SR-4311** Snap ring, front axle 1610D, 1702D, 1720D, (M)  
1820D, 2010D, 2020D, 2202D, 2210D, 2310D,  
2402D Repl. 194311-13960
- SR-28** Snap ring 1610D, 1702D, 1720D, 1820D, (N)  
2010D, 2020D, 2202D, 2210D, 2310D,  
2402D Repl. 194311-13920
- LW-30** Lock washer 1610D, 1702D, 1720D (O)  
Repl. 194158-14130
- LW-4311** Lock washer 1802D, 1810D, 1820D, 2002D, 2010D, (O)  
2020D, 2202D, 2210D, 2402D Repl. 194311-14130
- LN-30** Lock nut 1610D, 1702D, 1720D, (P)  
24211-0300002
- LN-35** Lock nut 1802D, 1810D, 1820D, 2002D, 2010D, (P)  
2020D, 2202D, 2210D, 2310D, 2402D, 3810D  
Repl. 24217-035002 (old # 24211-035002)
- SA-4158** Wheel stub axle 1610D, 1700D, 1702D, 1720D (Q)  
Repl. 194158-14100
- SA-4210** Wheel stub axle 135D, 155D, 1100D, 1300D Repl. 194210-14350 (Q)
- SA-1410** Wheel stub axle 1802D, 1810D, 1820D, 2000D, 2001D, 2002D, (Q)  
2010D, 2020D, 2202D, 2210BD, 2210D, 2301D, 2310D, 2402D  
Repl. 194311-14101
- SA-1411** Wheel stub axle 336D, 2610D, 3110D, 3810D Repl. 194321-14110 (Q)



**APB-4191** Front axle center pivot bushing 186D, (2)  
187D Repl. 194190-11520

**22x32x7SC** Front axle center pivot seal 186D, 187D, (3)  
1500D, 1502D, 1602D Repl. 194191-13420

**DP-114** Drain plug 186D, 187D, 1510D (5)  
Repl. 194151-24770

**OR-160** Oring for DP-114 drain plug (6)  
Repl. 24311-000160

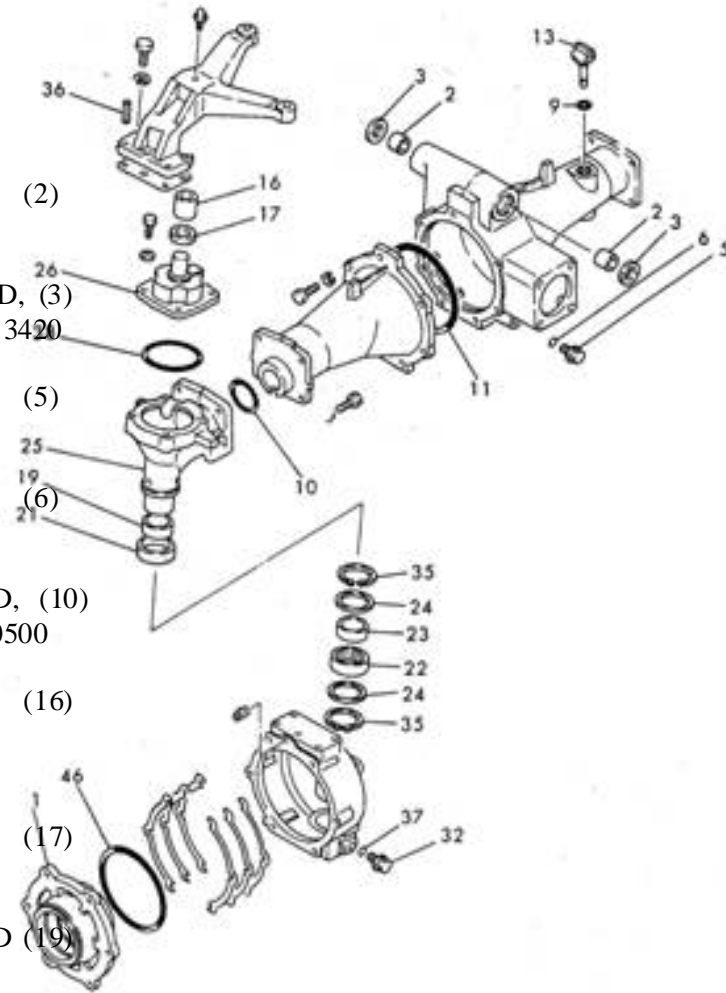
**OR-500** Oring, between axle hsg & elbow 186D, (10)  
187D, 1502D, 1602D Repl. 24321-000500

**SB-4321** Bushing, king pin 186D, 187D (16)  
Repl. 194321-11921;  
1502D, 1602D Repl. 194194-13840

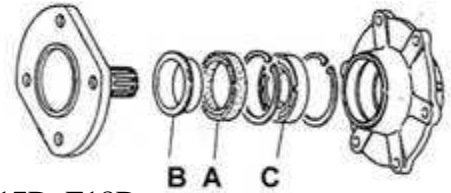
**35x41x5VB** Seal, king pin 186D, 187D, 1502D, (17)  
1602D Repl. 194321-11940

**AC-1364** Seal collar 186D, 187D, 1502D, 1602D (19)  
Repl. 194447-13640

**44x57x11.5TC** Seal 186D, 187D, 1502D, 1602D, (21)  
F18D, FX18D Repl. 194447-13650



## Front axle parts

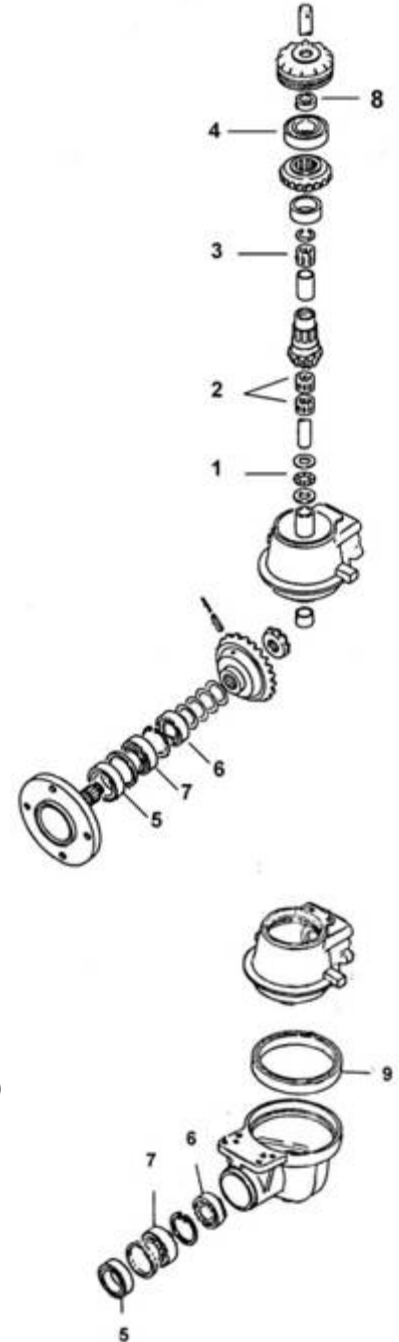


140D, 147D, 187D, 1502D, F15D, F16D, F17D, F18D

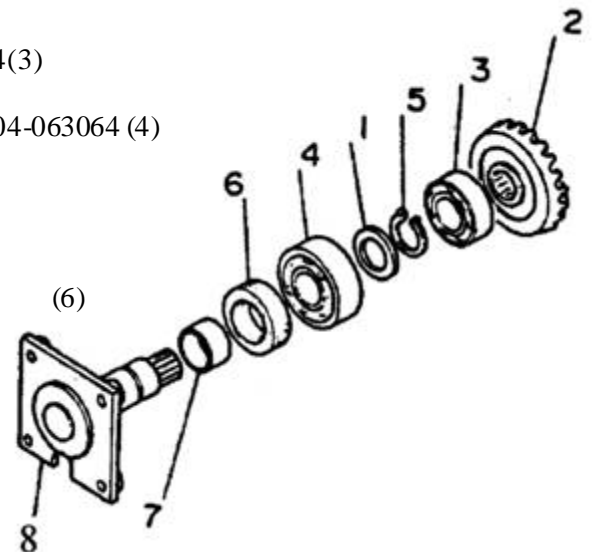
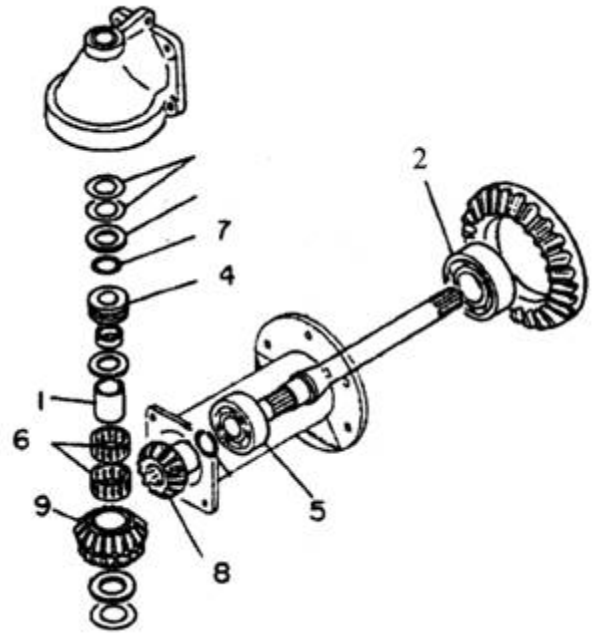
- AS-4447** Stub axle seal Repl. 194447-14140 (A)
- AC-4447** Stub axle collar Repl. 194447-14180 (B)
- 6009-2RS** Stub axle bearing Repl. 24101-060094 (C)

## Front axle parts for 1510D

- NB-4441** Flat needle bearing, lower spindle (1)  
Repl. 194441-13900
- NB-1510** Spindle needle bearing – 2 per axle (2)  
Repl. 194441-13880
- NB-4440** Spindle needle bearing – 1 per axle (3)  
Repl. 194440-25290
- 6207-2RS** Top spindle bearing Repl. 24101-062074 (4)
- 40x62x12TC** Stub axle seal Repl. 1A1040-28810 (5)
- 32006** Outer stub axle bearing & cup (6)  
Repl. 24141-320060
- 32007** Inner stub axle bearing & cup (7)  
Repl. 24141-320070
- 20x35x7TC** Seal, top spindle Repl. 194441-13760 (8)
- 115x140x15TC** Seal, front axle knuckle Repl. 194301-12550 (9)
- OR-850** Oring between top cap and lower top case  
Repl. 24341-000850



- S-1300** Spindle 1300D, 1301D Repl. 194210-13901
- SB-1427** Spindle bushing 135D, 155D, 1100D, (1)  
1300D, 1301D Repl. 194210-14270
- 6207-2RS** Inner axle bearing 1300D, 1301D (2)  
Repl. 24101-62074
- 51105** Top spindle brg 1100D, 1300D, (4)  
1301D, 1401D  
Repl. 24520-51105 & 194210-14300
- 6305-2RS** Outer axle bearing 1300D, 1301D (5)  
Repl. 24104-063054
- NB-4210** Spindle needle brg 1100D, 1300D, (6)  
1301D, 1401D Repl. 194210-14260
- OR-220** Oring Repl. 24311-000220 (7)
- SG-1423** Gear 155D, 1100D, 1300D, 1301D (8)  
Repl. 194210-14230
- SG-1943** Gear 1401D Repl. 194341-14230 (8)
- SG-4251** Double gear 135D, 1100D, 1300D, 1301D Repl. 194210-14251 (9)
- SG-4341** Double gear 155D, 165D, 1401D Repl. 194341-14250 (9)
- 
- SG-1442** Stub axle gear 135D, 155D, 1100D, 1300D, 1301D (2)  
Repl. 194210-14420
- SG-1401** Stub axle gear 1401D Repl. 194341-14420 (2)
- 6305-2RS** Inner bearing 1300D, 1301D Repl. 24104-63054(3)
- 6306-2RS** Outer bearing 1300D, 1301D, 1401D Repl. 24104-063064 (4)
- SR-30** Snap ring, stub axle 1300D, 1301D, 1401D (5)  
Repl. 22242-000300
- 40x62x12TC** Seal 1100D, 1110D, 1300D, 1301D, 1401D  
Repl. 1A1040-28810 & 24423-406012
- AC-4210** Axle seal collar 1100D, 1300D, 1301D, (7)  
1401D Repl. 194210-14400
- SA-4210** Stub axle 135D, 155D, 1100D, (8)  
1300D, 1301D Repl. 194210-14350



**SA-4321 (8)** Spindle w/key 330D, 336D, 2610D, 3110D, 3810D  
Repl. 194321-13850

**SA-1385 (8)** Spindle 195D, 240D, 226D, 250D, 276D, 1601D, 1610D, 1702D,  
1720D, 1802D, 1810D, 1820D, 2000BD, 2001D, 2002D, 2010D, 2020D,  
2202D, 2210BD, 2210D, 2301D, 2310D, 2402D Repl. 194311-13850

**WK-722** Woodruff key for SA-1385 Repl. 22512-070220

**NB-4311 (3)** Needle bearing, front axle spindle 226D,  
276D, 1610D, 2000D, 2000BD, 2202D, 2210D,  
2310D, 2402D Repl. 194311-13880

**6008-2RS (9)** Wheel bearing early 226D Repl. 24101-060084

**6210-2RS (9)** Wheel bearing 226D sn 42272 up  
Repl. 24101-062104

**SR-242 (7)** Snap ring 226D, 2002D, 2202D,  
2310D, 2402D Repl. 22242-000550

**LN-35 (1)** Lock nut, front stub axle 226D, 2202D, 2001D,  
2210BD, 2301D, 2310D, 2402D, 2610D, 3110D  
3810D Repl. 24217-035002 (old # 24211-035002)

**LW-4311 (2)** Lock washer, stub axle 226D, 2001D, 2002D,  
2202D, 2210D, 2301D, 2310D, 2402D  
Repl. 194311-14130

**OR-400 (6)** O'ring, stub axle 2002D, 2202D, 2310D,  
2402D Repl. 24321-000400

**SC-4311 (4)** Seal collar, frt. axle 195D, 220D, 240D, 250D,  
276D, 2000D, 2002D, 2202D, 2210D, 2310D, 2402D  
Repl. 194311-14172

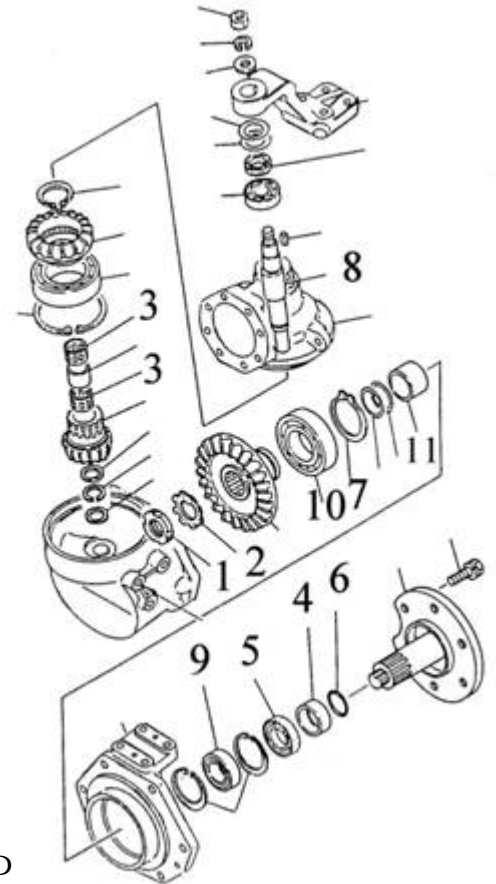
**50x68x12.5 (5)** Seal, front knuckle 226D, 276D, 1802D, 2001D, 2002D,  
2202D, 2220D, 2301D, 2402D, 2420D Repl. 194313-13790

**50x68x14.3TCFY (5)** Seal, front knuckle 240D, 2210D Repl. 194311-13790

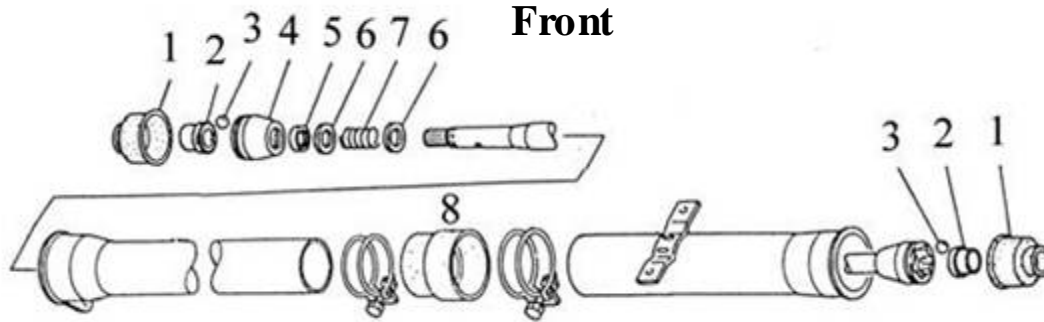
**AS-6831 (5)** Seal, front axle side, 195D, 1601D, 1610D, 1700D,  
1702D, 1720D Repl. 194158-13790

**6211-2RS (10)** Bearing 226D Repl. 24101-062114

**SC-4161 (11)** Spacer 1802D, 1820D, 2002D, 2020D, 2202D, 2220D,  
2310D, 2402D, 2420D Repl. 194311-14161



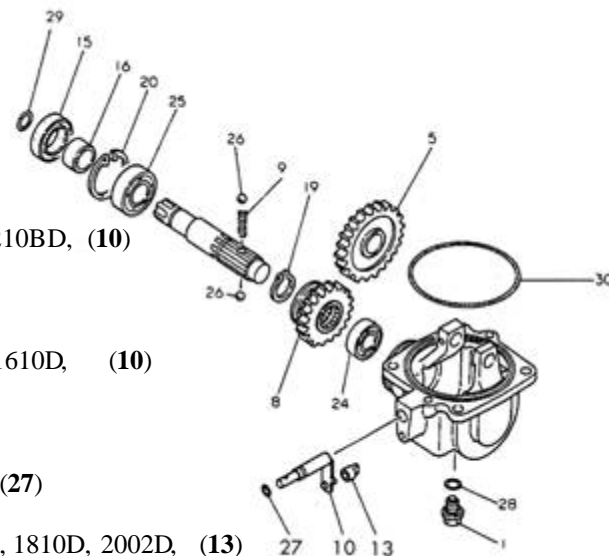
## Drive shaft parts



- SS-4191** Splined shaft seal 195D, 220D, 240D, 250D, 1500D, 1601D, 1610D, (5)  
YMG1800D, 2000BD, YMG2000D, 2020D, 2202D, 2210D, 2310D, 2402D,  
F20D, FX20D, F24D, FX24D, F255D, FX255D Repl. 194191-13340
- DC-4191** Coupling 195D, 220D, 240D, 250D, 276D, 1500D, 1601D, 1610D, 1702D, (4)  
1720D, YMG1800D, 2000BD, YMG2000D, 2020D, 2202D, 2220D, 2310D, 2402D,  
2420D, F20D, FX20D, F24D, FX24D, F255D, FX255D Repl. 194191-13331
- DC-4321** Coupling 2610D, 2620D, 2820D, 3110D, 3810D, 4300D Repl. 194321-13340 (4)
- CB-4191** Coupling boot (rubber) 195D 220D, 240D, 250D, 1500D, 1601D, 1610D, (1)  
1702D, 1720D, YMG1800D, 2000BD, YMG2000D, 2001D, 2020D, 2202D,  
2210BD, 2210D, 2220D, 2310D, 2402D, 2420D, F20D, FX20D, F24D,  
FX24D, F255D, FX255D Repl. 194640-13340 (old # 194191-13370)
- CB-4321** Coupling boot (rubber) 2610D, 2620D, 2820D, 3110D, 3810D, 4300D (1)  
Repl. 194321-13350
- DW-4191** Washer, spring retainer 195D, 220D, 240D, 250D, 1500D, 1601D, 1610D, (6)  
1702D, 1720D, YMG1800D, 2000BD, YMG2000D, 2020D, 2220D,  
2310D, 2420D, F20D, FX20D, F24D, FX24D, F255D, FX255D  
Repl. 194191-13350 (194191-13360 for **YM 1500**)
- DW-4321** Washer, spring retainer 2610D, 2620D, 2820D, 3110D, 3810D, 4300D (6)  
Repl. 194321-13360
- DS-4311** Spring 195D, 220D, 240D, 250D, 1500D, 1601D, 1610D, 1702D, (7)  
1720D, YMG1800D, 2000BD, YMG2000D, 2020D, 2202D, 2210D,  
2220D, 2310D, 2402D, 2420D, F20D, FX20D, F24D,  
FX24D, F255D, FX255D Repl. 194311-13360
- DS-4191** Sleeve 195D, 220D, 240D, 250D, 276D, 1500D, 1601D, 1610D, 1702D, (2)  
1720D, YMG1800D, 2000BD, YMG2000D, 2020D, 2202D, 2210D,  
2220D, 2310D, 2402D, 2420D Repl. 194191-13270
- SB-4190** Steel ball 195D, 220D, 240D, 250D, 276D, 1500D, 1601D, 1702D, 1720D, (3)  
YMG1800D, YMG2000D, 2020D, 2202D, 2210D, 2220D, 2310D, 2402D, 2420D,  
F24D, FX24D, F255D, FX255D Repl. 24190-100003 (old # 24190-100001)
- SB-1132** Steel ball, front drive shaft 2620D, 2820D, 3110D (3)  
FX26D, FX28D Repl. 24190-110001 (old# 24190-110003)
- DSB-4321** Drive shaft coupling boot 330D, 2620D, 2820D, 4300D (8)  
Repl. 194321-14650

## Drop box parts

- DBA-4311** Drop box arm 2001D, 2020D, 2202D, 2210D, 2210BD, (10)  
2220D, 2301D, 2310D, 2402D, 2420D  
Repl. 194311-28311
- DBA-4421** Drop box shift arm 220D, 226D, 250D, 1601D, 1610D, (10)  
1702D, 1720D, 1802D, 1810D, 1820D 2002D  
Repl. 194421-28310
- OR-110** O'ring for DBA-4421 arm Repl. 24311-000110 (27)
- SB-4191** Shift block, drop box 220D, 226D, 250D, 1610D, 1810D, 2002D, (13)  
2202D, 2210D, 2220D, 2402D, 2420D, 2610D, 2620D, 2820D,  
3110D, 3220D, 4220D, F24D, FX26D, FX28D, FX32D, FX42D  
Repl. 194191-28451
- 30x40x7SC** Drop box seal 1500D RED, 1700D, 2000D Repl. 194191-28370 (15)
- 30x52x8TC** Drop box seal 186D, 220D, 226D, 250D, 276D, 1601D, 1610D, (15)  
1702D, 1720D, 1802D, 1810D, YMG1800D, YMG2000D, 2001D,  
2002D, 2010D, 2202D, 2220D, 2301D, 2310D, 2402D, 2420D  
Repl. 24421-305208 (Old # 1A1040-28820)
- 30x47x8TC** Drop box seal 195D, 240D, 1700D, 2000D, 2210D, 2210BD (15)  
Repl. 24423-304708 (Old # 194311-28120)
- 35x55x8TC** Drop box seal 2620D, 2820D, 3220D, 4220D (15)  
Repl. 194420-24340 (old #195100-12430)
- 35x55x11TC** Drop box seal 330D, 4300D Repl. 24421-355511 (15)
- 40x55x8TC** Drop box seal 2610D, 3110D, 3810D, 4500D Repl. 194321-28120 (15)
- 25x42x8TC** Seal, Trans to front drive shaft 186D, 1510D, FX18 (15)  
Repl. 24423-254208 (Old # 194301-28240)

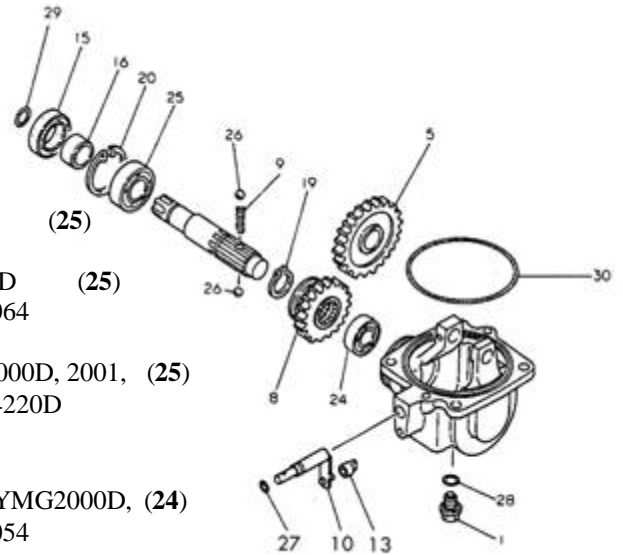


**Continued on next page**

Continued from previous page

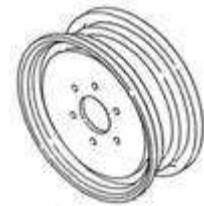
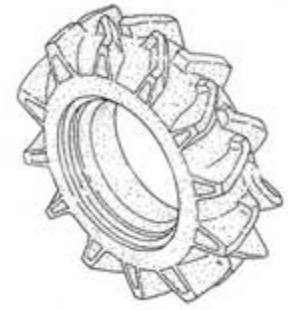
### Drop box parts

- 6005-2RS** Ball bearing 195D, 240D Repl. 24101-060054 (25)
- 6006-2RS** Ball bearing 330D, 2620D, 2820D, 3110D, 4500D (25)  
3220D, 3810D, 4220D, 4300D Repl. 24101-060064
- 6205-2RS** Ball bearing 226D, 1802D, YMG1800D, YMG2000D, 2001, (25)  
2002D, 2301D, 2310D, 2620D, 2820D, 3220D, 4220D  
Repl. 24101-062054
- 6005-2RS** Ball bearing 220D, 226D, YMG1800D, 1802D, YMG2000D, (24)  
2001D, 2002D, 2301D, 2310D Repl. 24101-060054
- 6204-2RS** Ball bearing 195D, 240D Repl. 24101-062044 (24)
- 6205-2RS** Ball bearing 330D, 3110D, 4300D, 4500D Repl. 24101-062054 (24)
- SB-8000** Steel ball 187D, YMG1800, YMG2000, (26)  
F24D, FX26D, FX28D Repl. 24190-080003
- SS-6190** Drop box seal sleeve 220D, 250D, 1601D, 1610D, 1702D, 1720D, (16)  
YMG1800D, 1802D, 1810D, 1820D, YMG2000D, 2001D, 2002D,  
2010D, 2020D, 2202D, 2210D, 2220D, 2301D, 2310D, 2402D, 2420D  
Repl. 1E6190-54080 & 194320-24470
- SS-4274** Drop box seal sleeve 330D, 2620D, 2820D Repl. 194274-28240 (16)
- DBG-2816** Drop box gear (42 teeth) YMG1800D, 1802D, 1820D (5)  
Repl. 194073-28160; can repl. 194431-28160 (39 teeth) on 1810,  
YMG2000 and 2002 when purchased as a set with DBG-2822
- DBG-2822** Drop box gear (26 teeth) YMG1800D, 1802D, 1820D (8)  
Repl. 194073-28220; can repl. 194431-28220 (32 teeth) on 1810,  
YMG2000 and 2002 when purchased as a set with DBG-2816



## Tires & Rims

- 7-16 R1** Tire for 336D, 2610D, 3110D, F24D, FX24D
- 6-14 R1** Tire for F20D, 240D, 2020D
- 5-12 R1** Tire for 140D, 147D, 155D, 1401D, 1510D
- 5-14 R1** Tire for 195D, 1500D, 1610D, 1702D Repl. 194191-14810
- FW-4210** Rim, 4 x 12 (4 bolt) 155D, 1300D, 1301D, 1401D  
Repl. 194210-12850
- FW-1500** Rim, 4 x 14 (4 bolt) 1500D Repl. 194191-14701
- FW-4279** Rim, 5 x 16 (6 bolt) 330D, 336D, 2610D, 3110D,  
3810D Repl. 194321-14700
- FW-4279** Rim, 5 x 16 (6 bolt) 276D, 336D, 2620D,  
2820D, 3220D, 4300D, F24D, FX24D, FX26D,  
FX28D, F255D, FX255D Repl. 194279-14700
- FW-4100** Rim, 3 x 12 front (4 bolt) 140, 147, 195, 1500,  
1502, 1510, 1600, 1601, 1602, 1610, 1700, 1702, 1720,  
YMG1800, 1802, 1900, YMG2000, 2002, F16,  
F17, FX17, F18, FX18, F20, FX20 Repl. 194100-12911
- FW-4134** Rim, 3 x 15 front (4 bolt) 2010, 2210, 2310, 2610, F22,  
FX26 Repl. 194134-12910
- FW-4145** Rim, 4 x 16 front (6 bolt) 330, 336, 3000, 3110, 3220,  
3810, 4220, 4300, FX28, FX32, FX42, FX285,  
FX305, FX335, FX435 Repl. 194145-12900
- FW-4158** Rim, 4 x 14 front (4 bolt) 195D, 1601D, 1610D,  
1700D, 1702D, 1720D, F16D Repl. 194158-14700-Q
- FW-8351** Rim, 5 x 14 front (6 bolt) 220D, 226D, 240D, 250D, 276D,  
1810D, 2000D, 2002D, 2010D, 2020D, 2202D, 2210D,  
2220D, 2310D, 2402D, 2420D  
Repl. 198351-14700 (old # 194311-14700-Q)
- FW-4447** Rim, 5 x 12 (4 bolt) 180D, 186D, 187D Repl. 194447-14710-Q
- FW-4362** Rim, 5 x 14 (6 bolt) 226D, 2000D, 2202D, 2220D, 2402D, 2420D, F20D,  
FX20D, F215D, FX215D Repl. 194362-14700 (old # 194311-14700)
- FW-4275** Rim, 3 x 15 (6 bolt) 220, 226, 250, 276 (2 wd) Repl. 194275-12910-Q



- SH-1371** (11) Front axle top cap 1601D, 1610D, 1700D, 1702D, 1720D, 2000D, 2210D **Repl. 194311-13710;**  
1802D, 1820D, 2001D, 2002D, 2010D, 2202D, 2220D, 2301D, 2310D, 2402D, 2420D **Repl. 194313-13710**
- 25x40x7TC** (1) Top seal 226D, 276D, 1700D, 1610D, 1702D, 1720D, 1802D, 1820D, 2000D, 2002D, 2202D, 2210BD, 2402D Repl. 194311-13720
- 115x145x13.5TC** (2) Front knuckle seal 220D, 226D, 250D, 276D, 1601D, 1610D, 1700D, 1702D, 1720D, 1802D, 1820D, 2000D, 2002D, 2202D, 2210BD, 2210D, 2220D, 2402D, 2420D  
Repl. 194311-13760
- 50x68x12.5** (3) Wheel seal 226D, 276D, 1802D, 1820D, 2002D, 2202D, 2402D Repl. 194313-13790
- AS-6831** (3) Wheel seal 1601D, 1610D, 1702D, 1720D Repl. 194158-13790
- 50x68x14.3TCFY** (3) Wheel seal 240D, 2000D, 2210D, 2210BD Repl. 194311-13790
- OR-160** (4) O' ring for drain plug 226D, 1601D, 1610D, 1702D, 1720D, 2002D, 2402D Repl. 24311-000160
- SR-720** (10) Snap ring 240D, 1610D, 2010D, 2202D, 2310D, 2402D Repl. 22252-000720
- DP-114** (6) Drain plug 226D, 1601D, 1610D, 1702D, 1720D, 1802D, 2002D, 2202D, 2402D Repl. 23491-140002
- SR-100** (7) Snap ring 1601D, 1610D, 1802D, 2001D, 2002D, 2202D, 2210D, 2301D, 2310D, 2402D Repl. 22252-001000
- OR-70** (8) O' ring, front axle hsg to elbow 1802D, 1820D, 2001D, 2002D, 2202D, 2301D, 2310D, 2402D Repl. 24321-000700
- OR-1371** (8) Oring, front axle hsg to elbow 1601D, 1610D, 1700D, 1702D, 2000D, 2210D Repl. 24321-000850
- SR-680** (9) Snap ring 276D, 1802D, 2002D, 2202D, 2210D, 2210BD, 2402D Repl. 22252-000680
- SG-1352** Gear, front axle 1601D, 1610D, 1802D, 1810D, 2002D, 2202D, 2210D, 2310D, 2402D Repl. 194311-13520

