

# **Group 7**

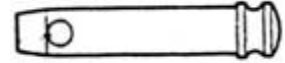
## **3 – Point**



**P-3916** Upper arm pin Pin dia. 3/4", 12mm thread, 3-9/16" OAL

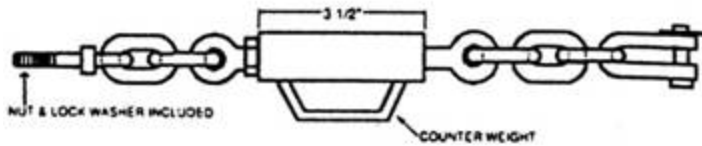
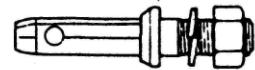
**P-4516** Upper arm pin w/ shoulder, 3/4" pin dia., 16mm thread, 4-5/16" OAL

**P-771** Top link pin 3/4" dia. X 2-3/4" usable length.

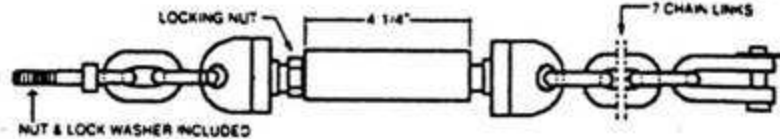


**P-772** Top link pin 3/4" dia. X 3-7/8" usable length.

**P-728** Lift arm pin 7/8" X 7/8" X 5-1/2" OA length.

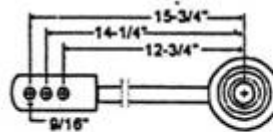


**SC-350** Stabilizer chain 3-1/2" long rd. ctr. tube w/counter wt.

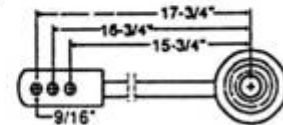


**SC-425** Stabilizer chain 4-1/4" long sq. ctr. tube w/lock nut  
2500, 2700, 3000, 3110, 3220  
Repl. 794130-74601

**SL-975** Side link, non adjustable w/clevis pin

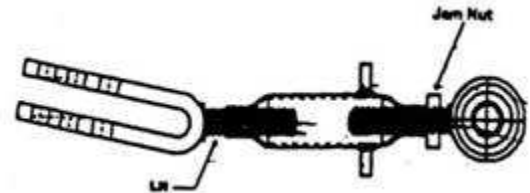


**SL-1150** Side link, non adjustable w/ clevis pin Repl. 194415-725  
F255, FX255  
Repl. 194555-72300



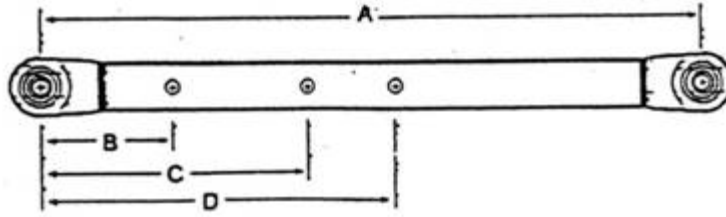
**ASL-750** Adj. Side link – 7-1/2" center tube w/clevis pin

**ASL-950** Adj. Side link – 9-1/2" center tube w/clevis pin



**P-159** Clevis pin w/hair pin clip for ASL-750, ASL-950, SL-975, SL-1150 side links

## Lift Arms

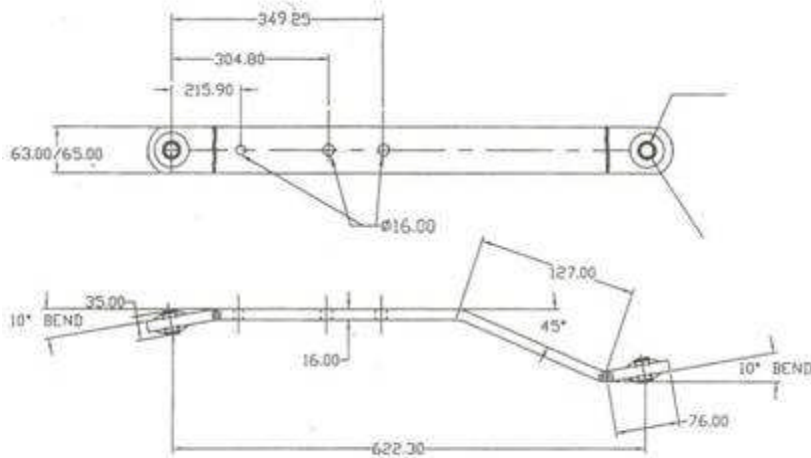


**LA-235** Lift arm A – 23-1/2”, B – 8-1/2”, C – 12”, D – 13-3/4”

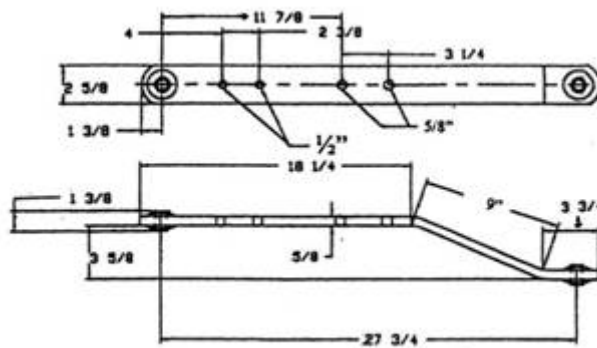
**LA-275** Lift arm A – 27-1/2”, B – 6”, C – 13”, D – 16”

Note: Lift arms, above, have Category 1 ball ends, material is 2-1/2” wide and 5/8” thick

---



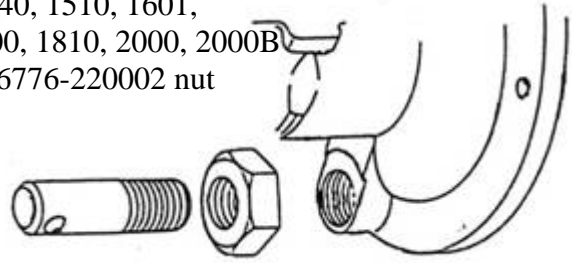
**LA-245** Lift arm, 24.5 inch centers (see drawing for details)



**LA-2775** Lift arm, 27.75 inch centers (see drawing for details)

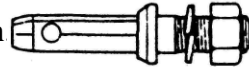
**P-784**

Lower link hinge pin w/nut 195, 240, 1510, 1601,  
1610, 1700, 1702, 1720, YMG1800, 1810, 2000, 2000B  
Replaces 194150-73182 pin and 26776-220002 nut



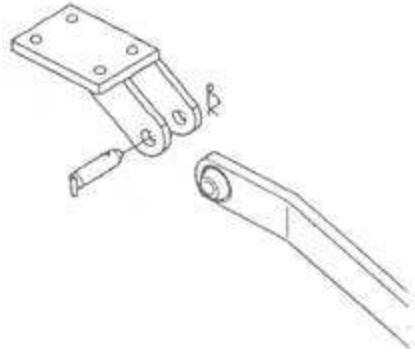
**P-728**

Lift arm pin 7/8" X 7/8" X 5-1/2" OA length



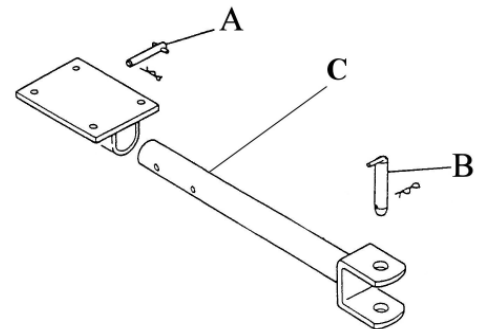
**P-4130**

Lift arm pin w/ hair pin 2500, 2610,  
2620, 2820, 3000, 3110 Repl. 194130-73180



**P-1670**

Drawbar retainer pin (16mm dia.) 1610, (A)  
1700, 1702, YMG1800, 1802, 1810, 1820,  
2000, YMG2000, 2001, 2002, 2010, 2020,  
2002, 2210, 2220, 2301, 2310, 2402, 2420,  
F18, FX18, F20, F22, F24, FX26, FX28, F255,  
FX255 Repl. 194150-75740



**P-2290**

Drawbar retainer pin (22mm dia.) 2500, 2610, (A)  
2620, 2820, 3000, FX32, FX42 Repl. 194145-75240

**P-1670**

Drawbar pin (16mm dia.) (B)  
1600, 1900  
Repl. 194150-75740

**P-2290**

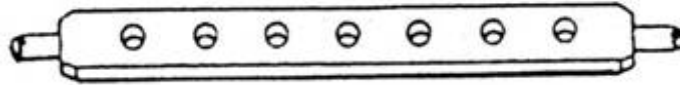
Drawbar pin (22mm dia.) 1601, 1610, 1702, 1720, 1802, 1810, (B)  
1820, 2001, 2002, 2010, 2020, 2202, 2210, 2220, 2301, 2310,  
2402, 2420, F18, F20, F22, F24, FX26, FX28 Repl. 194145-75240

**DB-4150**

Drawbar 1600, 1700, 1900, 2000, 2210 (C)  
Repl. 194150-75710

**DB-4420**

Drawbar 1601, 1610, 1702, 1720, 1802, 1810, 1820, 2001, (C)  
2002, 2010, 2020, 2202, 2220, 2301, 2310, 2402, 2420  
Repl. 194420-75710



**DB-419** Drawbar, for most tractors with 20" lift arm spacing.  
7 hole – Cat. 1, made of 1" X 2-1/2" high carbon steel.

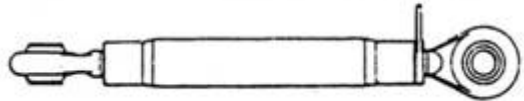
**TL-109** Top link, Cat. 1, 9" center tube

**TL-111** Top link, Cat. 1, 11" center tube

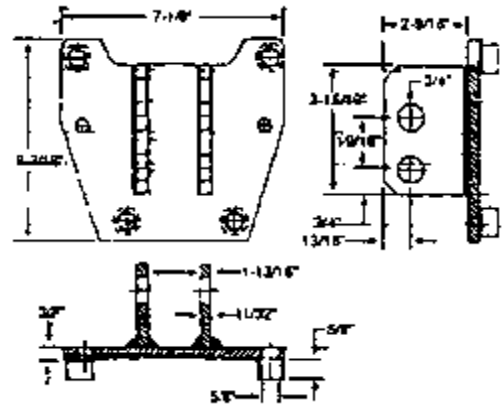
**TL-1125** Top link, Cat. 1, 12-1/2" center tube

**TL-116** Top link, Cat. 1, 16" center tube

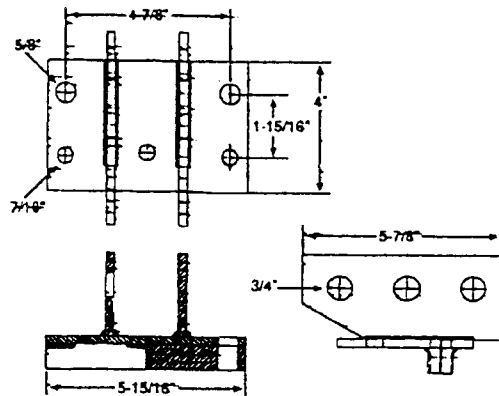
**CATEGORY 1**



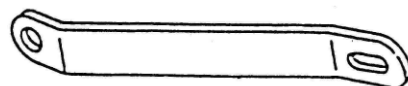
**TLB-1401** Top link bracket for 135, 155, 165, 169,  
1100, 1300, 1301, 1401,  
F135, F155 Replaces 194340-10010



**TLB-1510** Top link bracket for YM1510



**SB-1500** Stabilizer arm for 1500  
Replaces 194190-74110



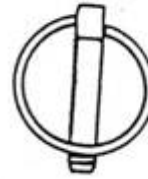
**P-7415** Clevis pin, adj. – 1/2" X 2"



**P-794** Lynch pin – 1/4" dia. pin

**P-7915** Lynch pin – 5/16" dia. pin

**P-791** Lynch pin – 7/16" dia. pin



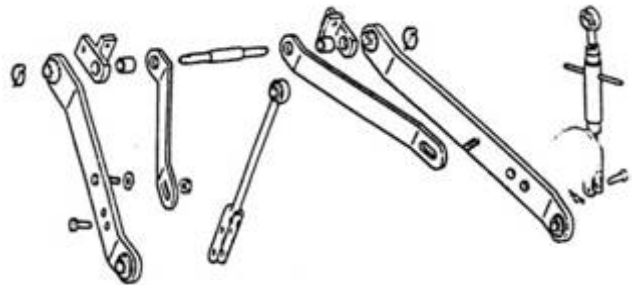
100 per bag  
Sold in multiples of 100

**CL-1548** Clevis, loose pin type, 3/8" body w/ 7/16" pin

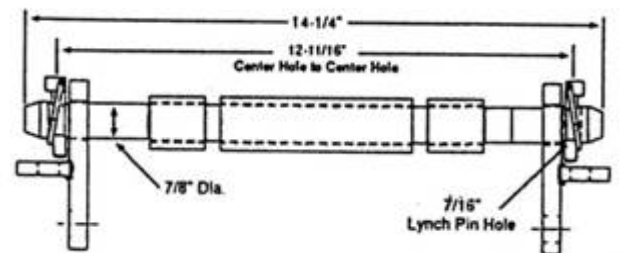


**TPH-1500** 3-point hitch kit for **YM1500** consists of:

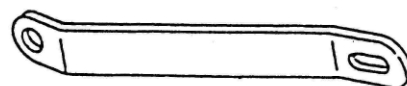
- 2 - LA-235 Lift arms
- 1 - LLK-1500 Lower link kit
- 2 - SB-1500 Stabilizer arms
- 1 - ASL-750 Adjustable side link
- 1 - SL-975 Non-adjustable side link

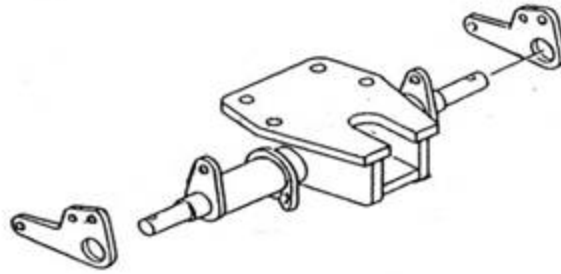


**LLK-1500** Lower link kit for 1500 and others



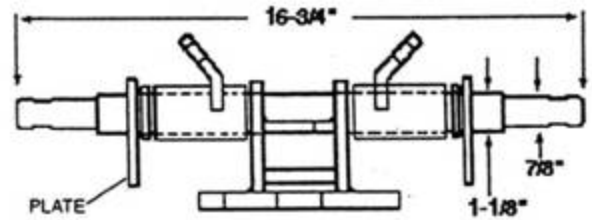
**SB-1500** Stabilizer arm for 1500  
Replaces 194190-74110



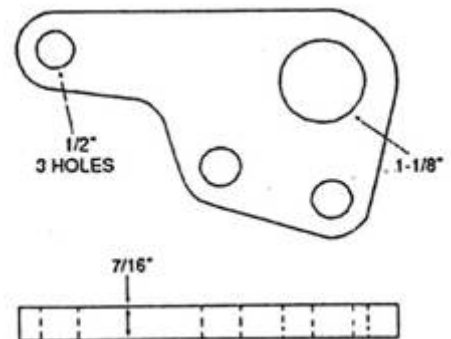


**LLK-1300** Lower hitch assembly for 135, 155, 165, 1100, 1300, 1301, 1401, F14, F15, F155

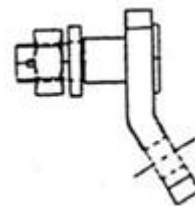
**2 of H-1300 Hinge plate also required.**  
 Repl. 194340-75410 & 194340-75411



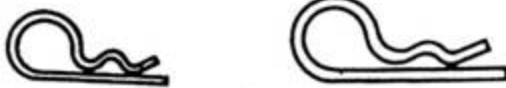
**H-1300** Hinge plate for LLK-1300 (2 required)  
 Replaces 194200-75502



**CE-749** Check chain clevis eyebolt w/nut & washer  
 195, 226, 240, 1610, 1700, 1700B, 1702, 1720, YMG1800, 1802, 1810, 2000, YMG2000, 2002, 2010, 2020, 2202, 2210  
 Repl. 194150-74910



## Hair Pin Clips



- P-7920** Hair pin clip – X X small
- P-7922** Hair pin clip – 5/64" (2mm) x 1-21/32" oal
- P-7923** Hair pin clip – 3/32" (2.5mm) x 1-11/16" oal
- P-7924** Hair pin clip – 1/8" (3mm) x 2-1/2" oal
- P-7925** Hair pin clip – 5/32" (4mm) x 3" oal

- P-7927** Hair pin clip- 3/16" (5mm) x 3-15/16" oal  
Special design for tiller spring rod – slightly open (as shown) with extended straight pin and 27mm finger pull hole Repl. 195214-15870

